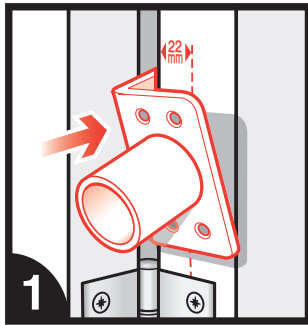


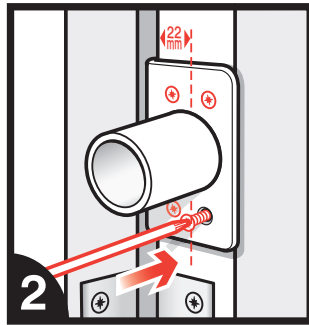
1000 SERIES

INSTALLATION INSTRUCTIONS

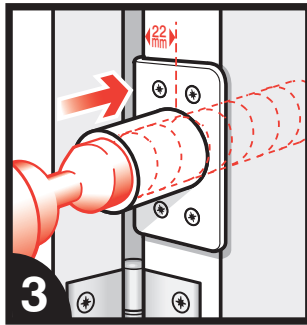
INSTALLING YOUR DOOR CLOSER USING FITTING JIG



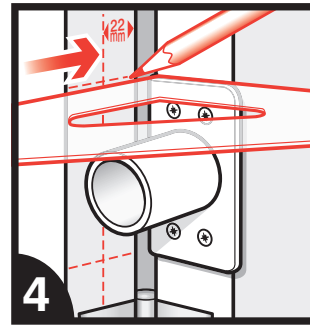
1 Offer up the fitting jig to the door leaf with the lip on the knuckle side of the door just below or above the middle hinge. The centre line should always be 22mm from the knuckle side of the door.



2 Fix using 4 screws from your Astra 1000 concealed door closer.



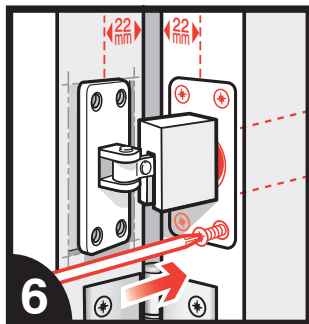
3 Drill the hole for the closer body using a Lewis auger bit.



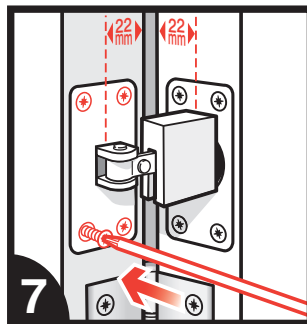
4 Mark the top and bottom edges level and square across to the door frame. Mark a centre line 22mm from the knuckle side of the frame.



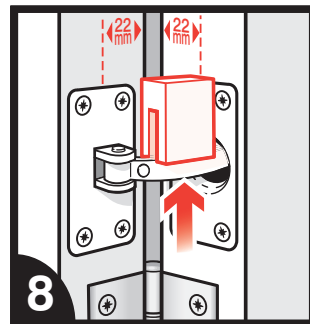
5 Cut out the area required to house the fixing plates on both the door leaf and the door frame.



6 Insert the body of the closer into the door leaf, with the retaining block facing you, and screw fix.



7 Fix the plate onto the door frame making sure it is exactly in line with the other plate.



8 Remove the retaining block. Ensure that it is kept in a safe place in case it is necessary to remove the closer from the door at any time.

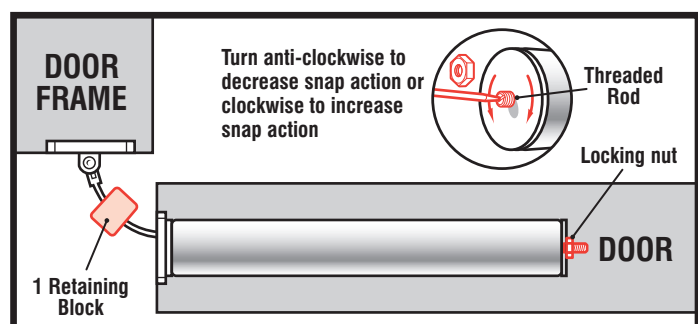
ADJUSTING THE SNAP ACTION

Prior to installation

The closer latching is factory set to give 5° of snap action. Remove the small locking nut on the threaded rod at the end of the body.

Using a small flat screwdriver turn the threaded rod anti-clockwise to decrease or clockwise to increase the 'snap action'.

After adjustment always replace the locking nut prior to installing the closer in the door.



INSTALLATION INSTRUCTIONS

IMPORTANT. PLEASE READ THESE NOTES BEFORE INSTALLATION

- After fitting the door closer these instructions and the retaining block should be kept in a safe place and referred to before any work on the door is carried out. It is dangerous to remove the closer plate screws without first placing the retaining block in position.
- You are advised to use an approved installer when fitting or removing this product. It is potentially dangerous to remove or tamper with this product.
- Poor ventilation and limited air flow may, like other closers, affect the performance of this closer. A suitable latching device may help door latching, but we accept no liability for the performance of the closer in these circumstances.
- It is important that the door hinges and associated fittings are correctly installed and do not affect the ability of the closer to close and latch the door.
- All doors must be fitted with a pair and a half of EN1935 approved hinges.
- The door closer is designed to open to 105° when installed with the centre line of the plate 22mm from the hinge edge of the door. When installing the closer in a thicker door the centre line of the plate must remain at 22mm from the hinge edge to allow for 105° opening.
- Do not fit in conjunction with rising butts or parliament hinges.
- It is essential that fixing plate centres are exactly in line with each other when the door is closed and each plate is recessed flush into the door and frame. The gap between the fixing plates when the door is closed should be no greater than 5mm and no less than 3mm.
- Please refer to the website www.astradoorcontrols.com for installation video and advice. Fitting jigs and auger bits are available from approved stockists and Astra Door Controls Ltd.