

ADAPT-A-GATE

Vandal Resistant No Slam Gate Closer

©Dictator Engineering Ltd
Inga House
Northdown Business Park
Ashford Road
Lenham
Kent
ME17 2DL

DICTATOR
DIRECT

T: +44 (0)1622 854770
F: +44 (0)1622 854771
E: mail@dictatordirect.com
www.dictatordirect.com

DICTATOR ADAPT-A-GATE Vandal Resistant No Slam Gate Closer

The DICTATOR ADAPT-A-GATE “no slam” closer is the ideal pedestrian gate closing system. As its name suggests, the Dictator ADAPT-A-GATE will fit most gates and transform them into quiet, safe operating units.

Dictator ADAPT-A-GATE closers fit to vertical bar, bow top, wrought iron, timber, and most other types of gates. When producing steel gates, the gate closer can be welded to the gate. Fitting on a retrofit basis the closer simply bolts to the gate. The same goes for the gatepost brackets.

With up to 180 degrees of opening (depending upon hinge configuration), high corrosion resistance, and don't forget its vandal resistant qualities, everyone appreciates this closer for its outstanding performance.



Technical Data

Material	Steel, Galvanized
Gate Opening Angle	90-180 degrees (hinge dependant)
Gate Weight	Up to 80 kg
Gate Height	Up to 2500mm
Width of Gate Leaf	750mm to 1150mm
Types of Gates	Steel, Aluminium ,Timber
Closing Speed	Fully Adjustable

Powder coat paint finishes available for quantity orders. Please contact us for further details.

www.dictatordirect.com

©Dictator Engineering Limited

Tel: 01622 854770 Fax: 01622 854771

Email: mail@dictatordirect.com

02/2005

E&OE

Operation & Speed Adjustment

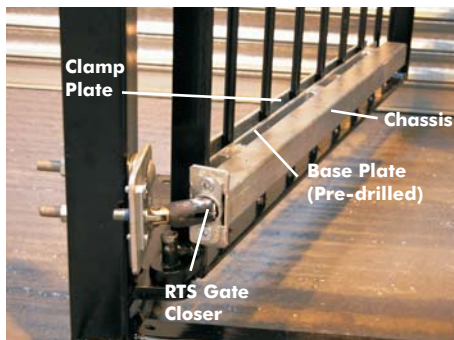


Each ADAPT-A-GATE kit includes an RTS gate closer. The closer is fixed on the gate with a chassis, and a bracket fixes to the gatepost. Joining the closer and the bracket is an articulated joint. When the gate is opened, the articulated joint fixed to the gatepost bracket creates tension in the gate closer's internal spring. When the gate is allowed to close, the closer's hydraulic damping unit provides variable closing speeds to suit.

Speed Adjustment - To adjust the closing speed, open the gate 45-90 degrees, push a long reach hexagon key into the hole found in the articulated joint. Locate the hexagon socket, turn clockwise to slow the speed, and anti clockwise to increase the speed.

Important - Do not keep turning hexagon key once slowest speed is achieved. This will damage the closer.

Installation

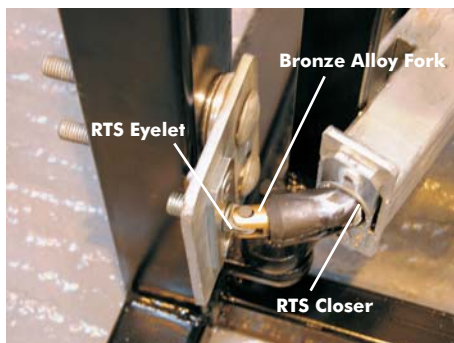


Step 1 Fitting the chassis to the gate using the pre-drilled base plate. Offer the chassis up to the closing side of the gate and bolt the clamp plate to it from the opposite side of the gate using the 8 x M10 bolts provided. Be sure to tighten the bolts evenly to obtain an even compression across the gate. The positioning of the edge of the chassis in relation to the hinge is very important. Refer to Fig. 1

Step 2 Bolt the universal post plate to the gate post by drilling 2 x holes through the post to match the universal plate holes. The plate holes are horizontally elongated to give easy alignment to the chassis. Spacing washers are provided to ensure the correct gap between the universal plate and the chassis. Refer to Fig. 1

Step 3 It is very important to ensure that the centre line of the chassis and the centre line of the universal post plate/RTS counter plate are the same.

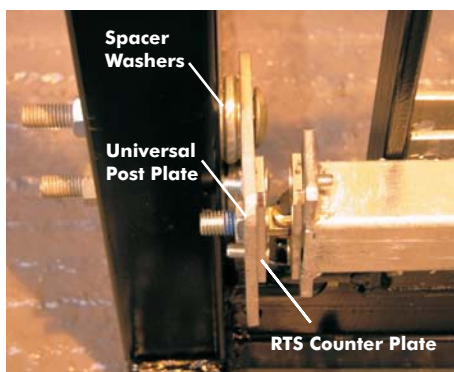
Step 4 Now fit the RTS gate closer into the chassis. Make sure the long groove in the black articulated joint never points to the side of the door hinges (access to the speed adjustment screw will be via this groove).



Step 7 Fit the RTS counter plate into the universal post plate. Screw the self locking (thread locked) eyelet into the RTS counter plate. Once the thread locked eyelet has been screwed into the counter plate you have 30 minutes before the thread lock sets.

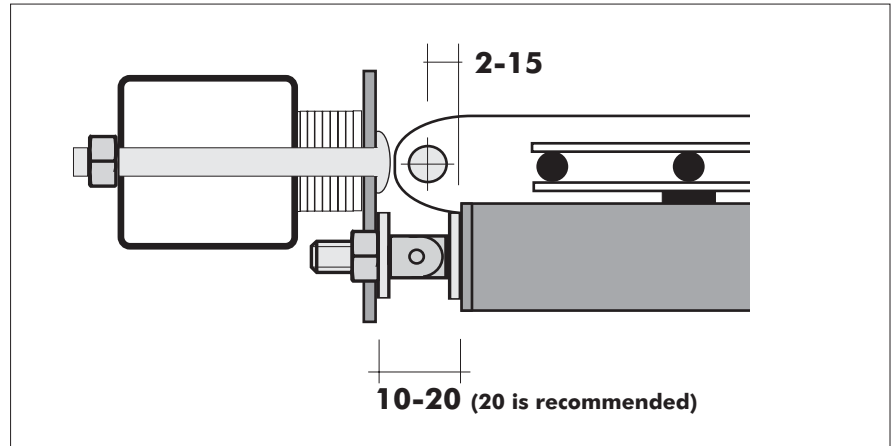
Step 8 Now connect the bronze alloy fork to the eyelet with its clevis pin and secure it with its circlip. We recommend lubricating the bolt lightly as this prolongs its life considerably. Open the gate completely and remove the securing pin from the joint.

The closer is now ready for operation. Should you ever need to remove the closer or disconnect it from the counter plate, insert the securing pin back into the joint first.

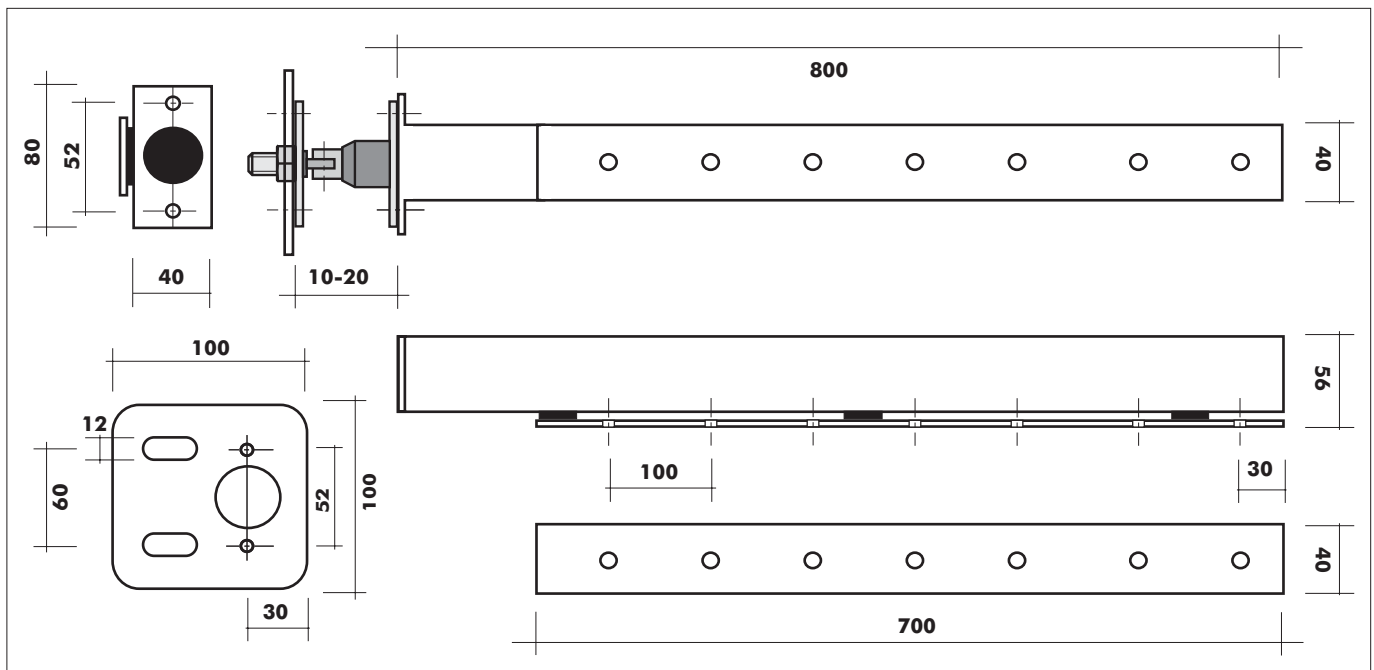


Installing the ADAPT A GATE Important Hinge Dimensions

In-Line Hinge Layout (Fig. 1)



Dimensions (Fig. 2)



Kit Components

1x RTS gate closer tube
1x RTS counter plate
1x RTS connection Eyelet
1x Adapt A Gate chassis
1x Clamp plate

Clamp plate bolts
1x Universal post mounting plate
2x Universal plate fixing bolts
Spacing washers
4x Countersunk fixing screws

ADAPT-A-GATE No Slam Gate Closer

Part No: 400600GC

RTS Gate Closer Tube

Part No: 400529

IMPORTANT FITTING NOTE



Please note: When fitting the post mounting plate to the post, place the larger 16mm holed washers onto the fixing bolts first, so as to space around the square shank of the bolts.

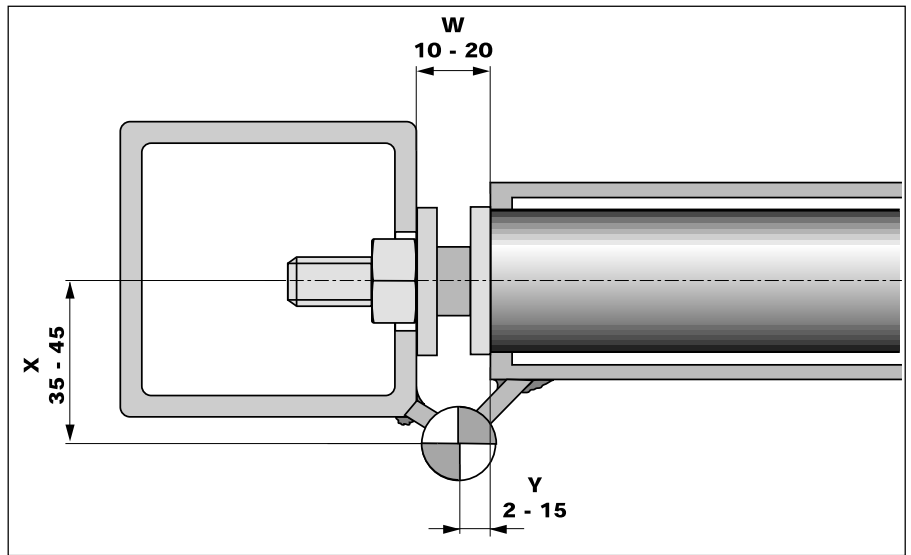


Installing the RTS Tube Doorcloser Important Hinge Dimensions

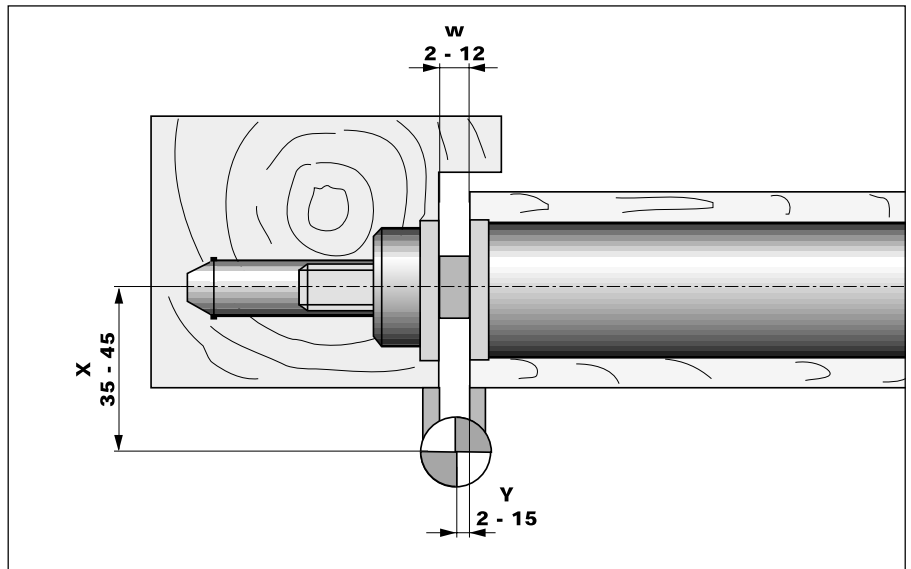
Installing in Aluminium and Steel Doors

Warning:

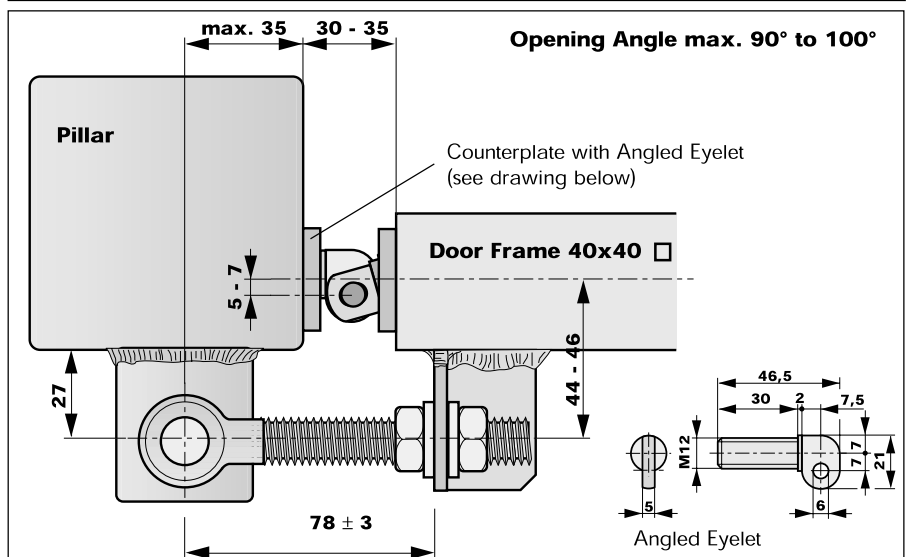
Dimensions W, X and Y must be observed!
Otherwise the opening angle, latch action
and closing will be affected.
If you have any queries, please contact our
Advisory Service.

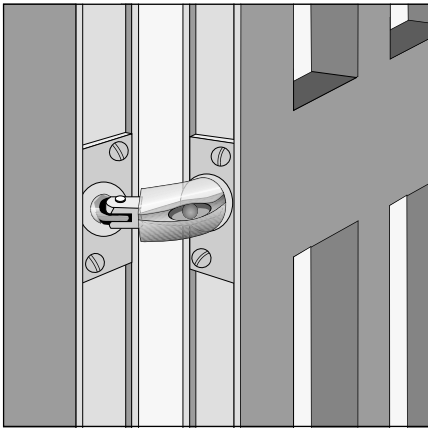


Fitting to Flush Wooden Doors



Fitting to Access Doors and Gates in Fences with Screw-hinges (WARNING: Use Angled Eyelet!)





RTS - d and RTS - e Tube Doorclosers

DICTATOR RTS - d and RTS - e tube doorclosers are designed for steel and aluminium doors. Their front plate is fixed to the door with 2 M8-screws. The RTS - d and RTS - e only differ in the position of their holes on the front plate. Due to its fixing holes the RTS - e can be used in place of the GEZE ROR TS 450 tube doorcloser .

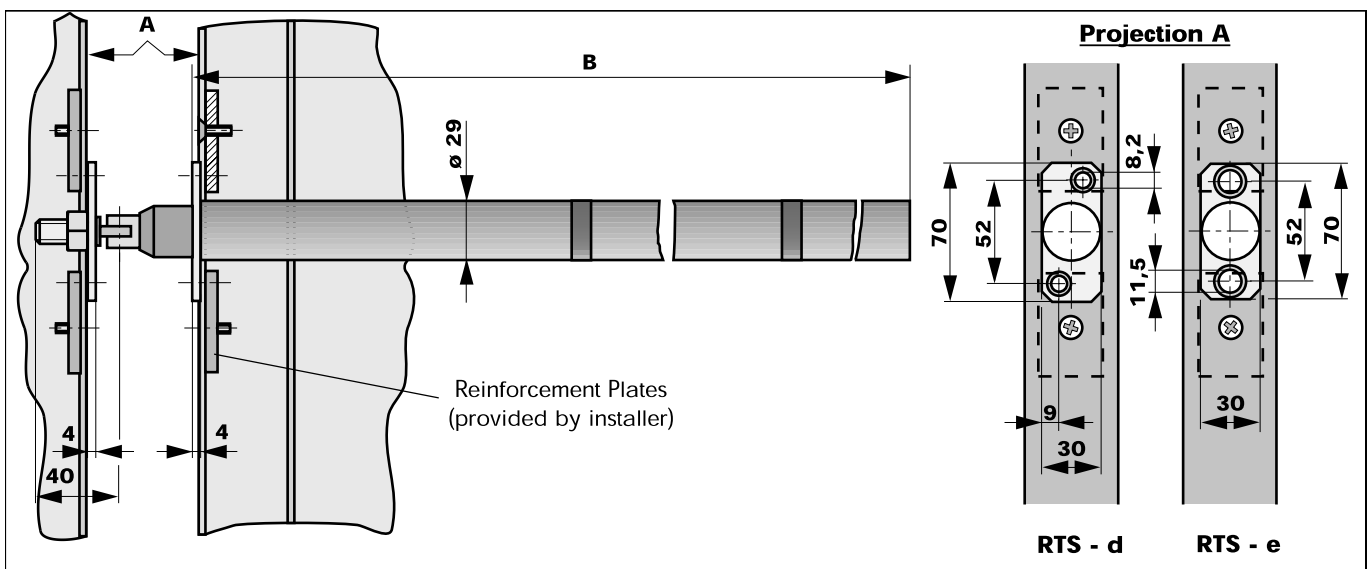
With aluminium doors the door closer is usually fitted into the bottom profile of the door; in steel doors it is either fitted into the top or bottom profile.

Technical Data

Model	400 520	400 529*
Length (dimension B)	734 mm	734 mm
Opening angle	180° (max.)	180° (max.)
Width of door leaf	750 - 1150 mm	750 - 1150 mm
Height of door leaf	up to 2500 mm	up to 2500 mm
Weight of door leaf	up to 80 kg	up to 80 kg
Dimension X of hinges	35 - 45 mm	35 - 45 mm
Opening direction	both DIN right and DIN left	

* Front plates correspond to those of the GEZE ROR TS 450

Dimensions



Order Information

RTS - d Tube doorcloser	part no. 400 520
RTS - e Tube doorcloser	part no. 400 529

No Slam Gate Closers

Maintenance Instructions

Regular maintenance is required to reduce the risk of premature failure of the No slam gate closers. The regularity of the maintenance is a variable according to the extremities of the application environment. Typically maintenance intervals would be quarterly depending upon the environment and frequency of use.

Maintenance checks

- 1) Maintain lubrication of end fixings & joints to both the gatepost & gate surface using lithium grease.
- 2) Ensure the closer remains in a horizontal position at all times.
- 3) Check to ensure all bracket fixings are secure.
- 4) Check that gate is moving in a consistent horizontal motion.
- 5) Check for damage to the closer or gate.
- 6) Lubricate the hinges of the gate

General Comments

Dictator Engineering Limited will accept no liability for any damage to the products whatsoever caused by incorrect fitting, vandalism, misuse or any incorrect assessment of the application.

Thorough assessment of each gate application is essential. Failure to foresee the possible opportunities for vandalism, misuse and environmental attack are likely to cause premature failure.