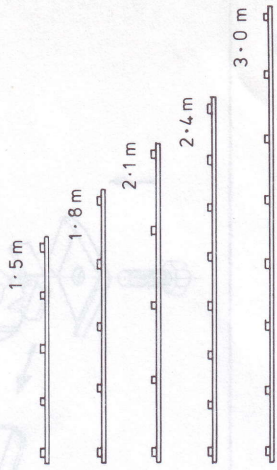
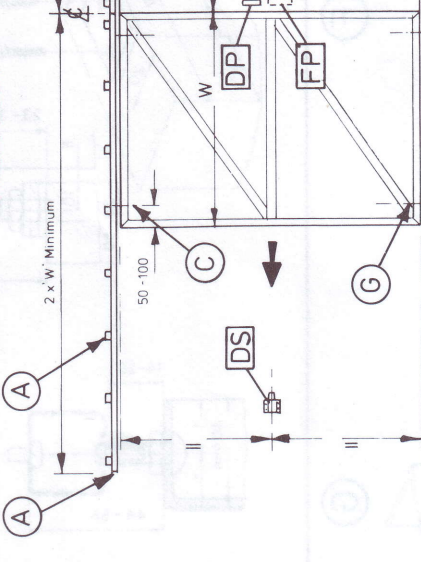
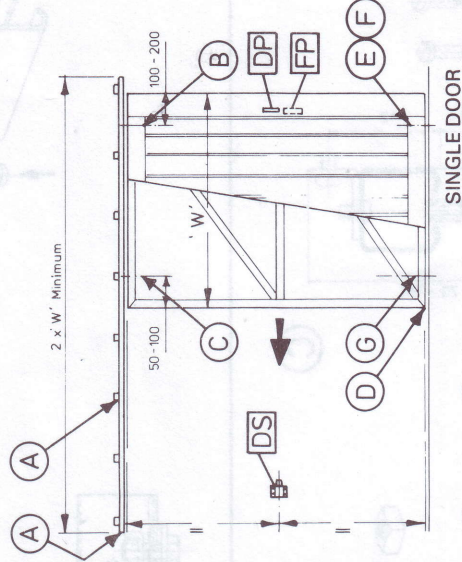


MAXIMUM DOOR WEIGHT	100kg
MAXIMUM DOOR HEIGHT	2500mm
DOOR THICKNESS	20-50mm

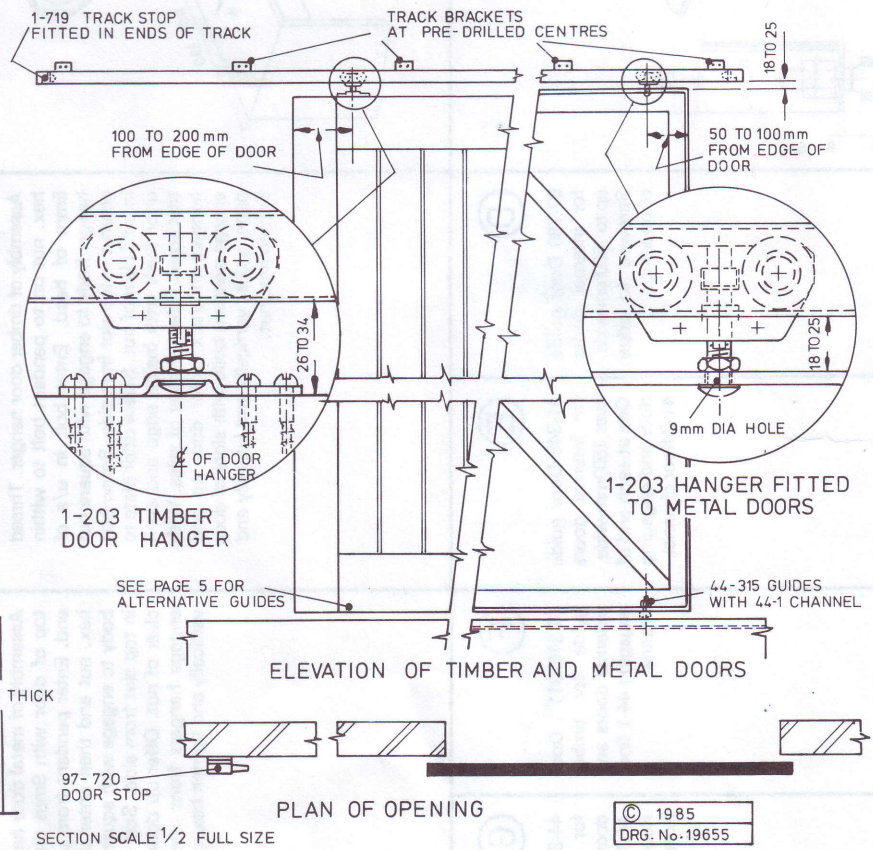
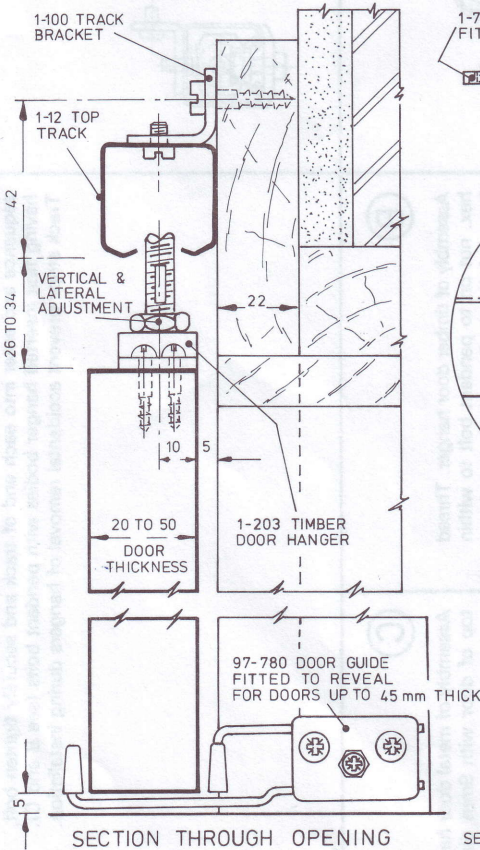
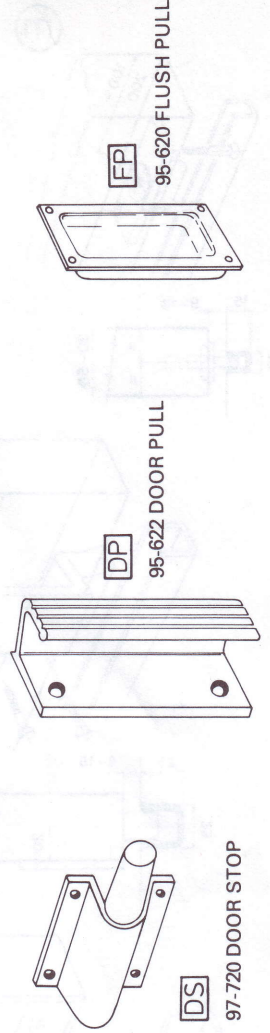
**STRAIGHTAWAY SERIES 100**



**TRACK LENGTHS AND BRACKET SPACINGS**  
Track supplied in standard lengths 1.5m, 1.8m, 2.1m, 2.4m and 3.0m and brackets in packs of 5 and 8 complete with all screws. Always use brackets at every fixing position.



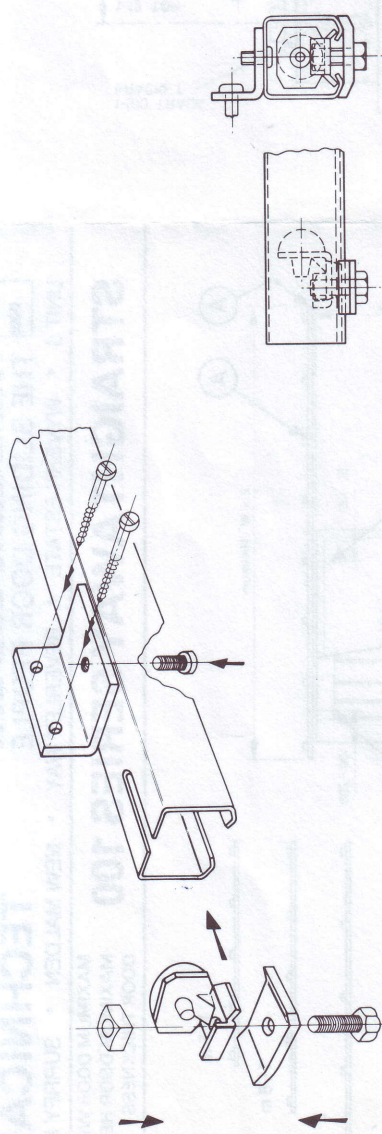
**BI-PARTING DOORS** Always use two lengths of track and butt together on centre line of opening. Doors to be prevented from crossing joint.



© 1985  
DRG. No.19655

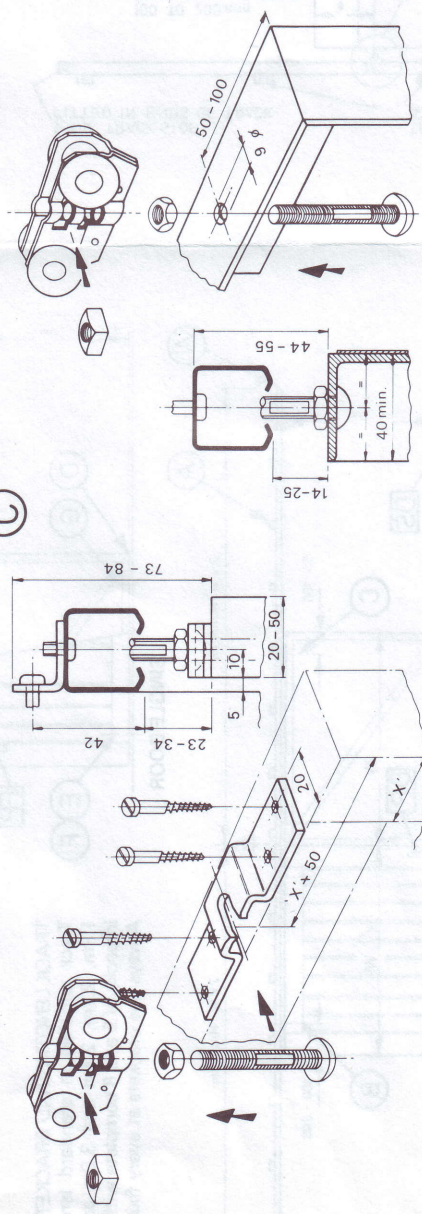
**A**

Assemble brackets to track as shown. Assemble track stops in correct sequence and enter into each end of track and securely tighten bolt, having first inserted hanger bodies with pendant bolts (see B and C). Track stops prevent accidental removal of hangers during installation.



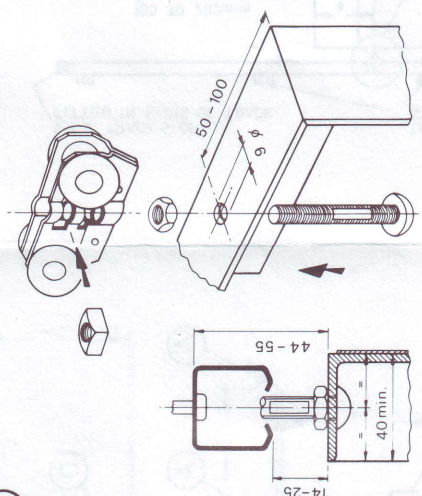
**B**

Assembly of timber door hanger. Thread hex. nut on to pendant bolt to within 5mm of head. Enter bolt in u/s of hanger body to engage with square nut entered in top slot from side. Screw bolt in until clear of nut. Screw door plate to door flush with inside edge and such that screw holes are clear of stiles. With hangers in track, offer door up and engage pendant bolts with slots of door plate, adjust vertically and laterally and tighten hex. nut.



**C**

Assembly of metal door hanger. Prepare top of door with 9mm dia. holes each end. Enter pendant from u/s, screw on hex. nut and then enter u/s of hanger body to engage with square nut entered in top slot from side. Screw bolt in until clear of nut. Offer up door to track and engage hangers from one end. Adjust vertically and tighten hex. nut.



**D**

97-780 Door guide for internal doors up to 1500mm wide. Screwed to edge of opening.

**E**

41-346 Door guide for internal doors over 1500mm wide. One at each end of door and engaging 41-2 floor channel.

**F**

44-310/311 Door guide for timber external doors and engaging 44-1 floor channel.

**G**

44-315 Door guide for metal external doors and engaging 44-1 floor channel. Requires 14mm dia. hole in door.

