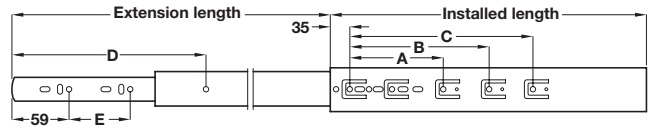


**Please note:**

\*Load ratings vary according to runner length. Load rating shown is the maximum for a pair of 450 mm length side mounted runners installed 450 mm apart. For larger drawers a test installation is advised. Please contact us for further information if required.



**Hold-in feature**

**Full Extension**

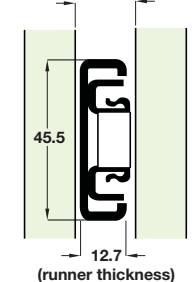
**Soft Close Drawer Runners, Full Extension with Disconnect**

- For use in application such as small and medium cabinets, desk and kitchen drawers where a full extension soft closing runner is required
- Side mounted
- Please note maximum drawer width to be used
- **35kg** carrying capacity
- Hold-in feature holds the closed drawer in
- Front disconnected by pressing lever for drawer removal
- Zinc plated steel

**Catalogue shows 350 mm  
Correct dimension is 300 mm**



**\*\*Side Space 12.9 - 13.2**



**(runner thickness)**  
**\*\*For optimum performance allow between +0.2mm and +0.5mm over the nominal runner thickness, for the side space.**

Installed length	Extension length	Max. drawer width	Dim A ±3	Dim B mm	Dim C mm	Dim D mm	Dim E mm	Cat. No.
350 mm	300 mm	350 mm	128	-	-	223.5	105	432.44.735
400 mm	400 mm	400 mm	180	-	-	273.5	105	432.44.740
450 mm	450 mm	450 mm	-	224	-	318.5	160	432.44.745
500 mm	500 mm	500 mm	-	224	278	369.5	160	432.44.750
550 mm	550 mm	550 mm	-	224	320	421.5	160	432.44.755
600 mm	600 mm	600 mm	-	224	384	447	160	432.44.760



Order qty: 1 pair

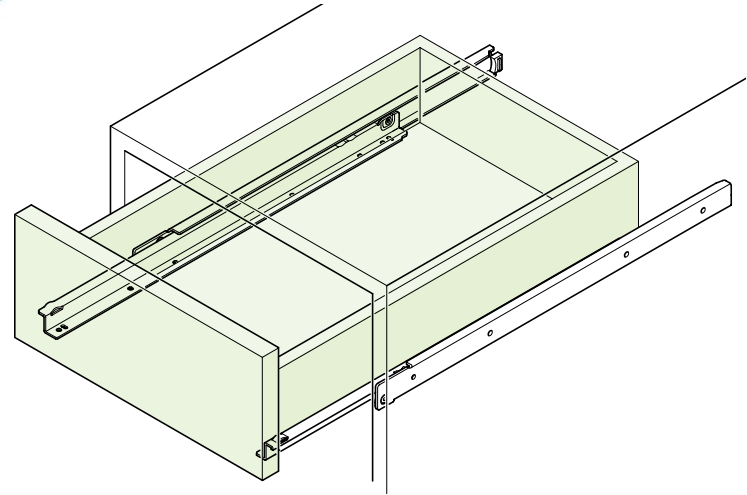
**Catalogue shows...  
'Order qty: Multiples of 30 pairs'  
Correct text is Order qty: 1 pair.**



6 Hinges

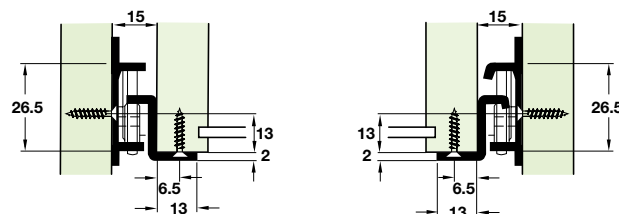
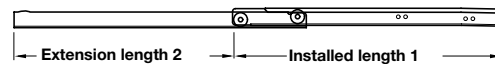
**B Drawer runners, single extension**

- Base mounting
- **40 kg** capacity
- Self-closing
- Roller action, cabinet and drawer profiles have one chrome plated steel ball bearing roller each
- Stay closed feature holds the closed drawer in
- Stainless steel is ideally suited to specialist applications such as catering or the medical industry
- Stainless steel



Installed length 1	Extension length 2	Cat. No.
400 mm	300 mm	423.60.040
450 mm	350 mm	423.60.045
500 mm	400 mm	423.60.050
550 mm	450 mm	423.60.055
600 mm	500 mm	423.60.060
650 mm	550 mm	423.60.065
700 mm	580 mm	423.60.070
750 mm	630 mm	423.60.075

Order qty: 1 pair



TCH-FF 2010, HUK. Dimensional data not binding. We reserve the right to alter specifications without notice.