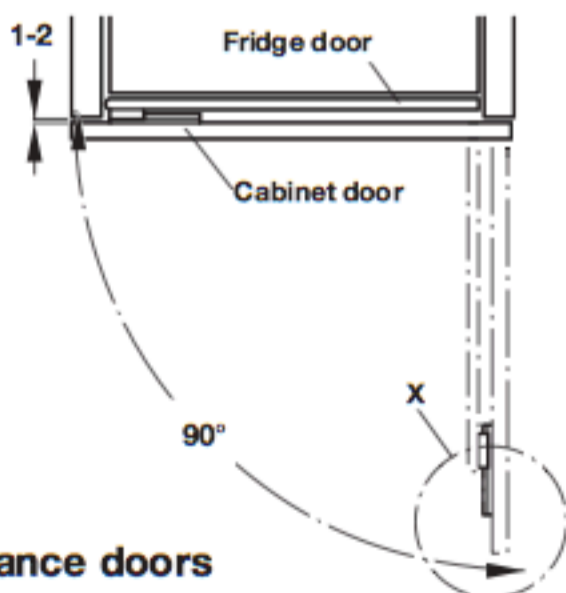
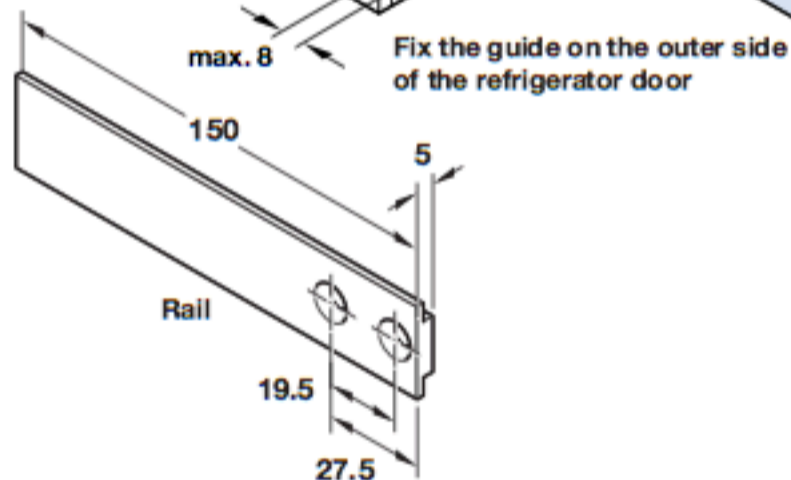
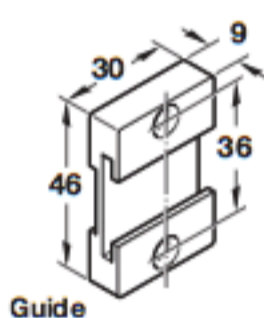
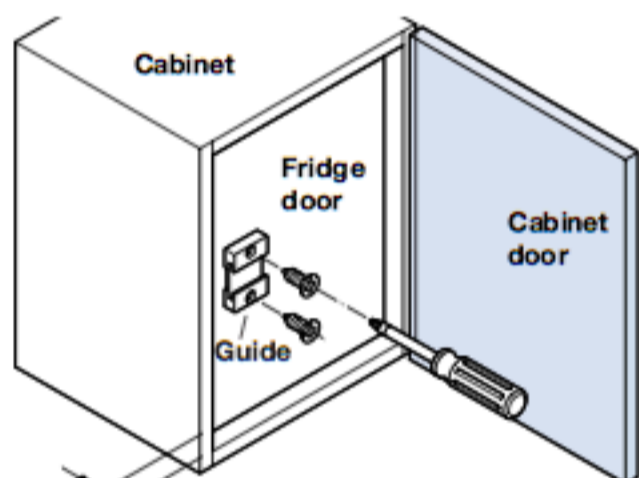


Open the refrigerator door by 90° and insert the rail into the guide (see "X" on plan drawing).
Screw on the rail exactly horizontally on the inner side of the cabinet door.



Connecting fitting for appliance doors

- Two part fitting for attaching a cabinet door to an appliance door so both open together
- One or two sets may be needed according to size of door
- Fixing screws supplied
- Plastic

Finish

Brown

Cat. No.

568.16.007