



futura

**ADAR**

Futura, the concealed runner produced by Adar, is suitable for all drawer opening applications, both with part- and full-extension.

It is available in three versions:

- with traditional Self-closing (from page 12 to page 19);
- with Push opening in handle-less furniture (from page 20 to page 27);
- with Smove decelerated closing (from page 28 to page 35).

## Self-closing

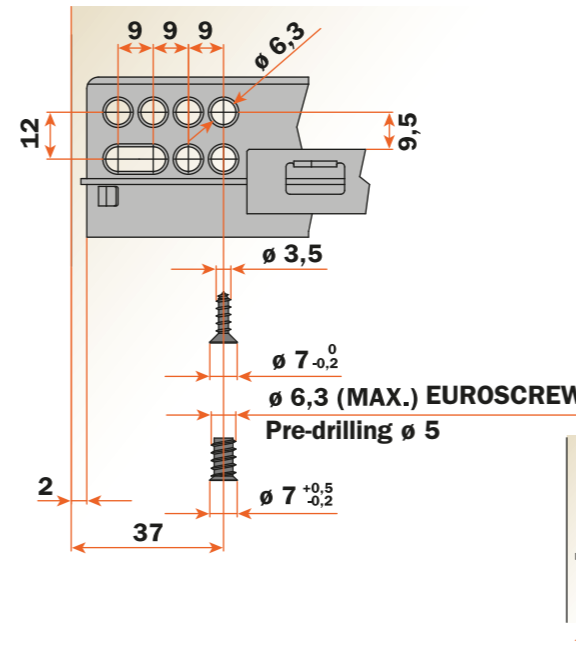


## Smove

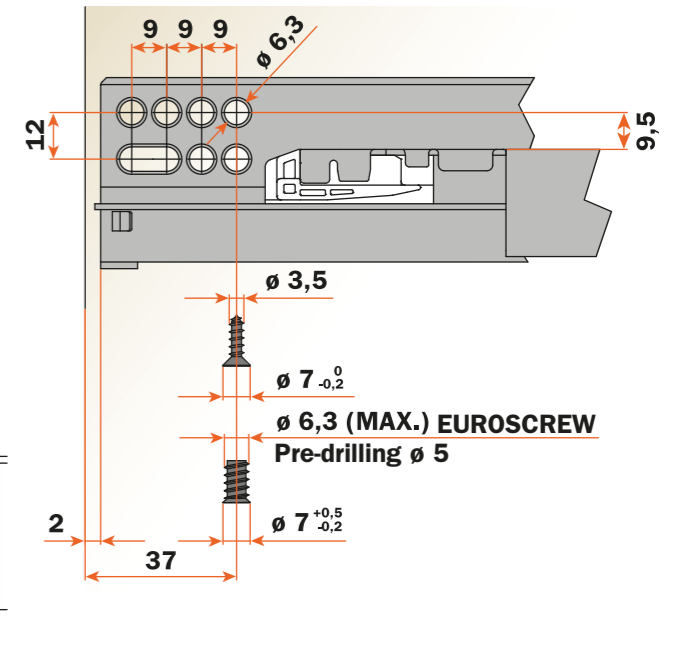


# Fixing

### Fixing part-extension runner on cabinet side

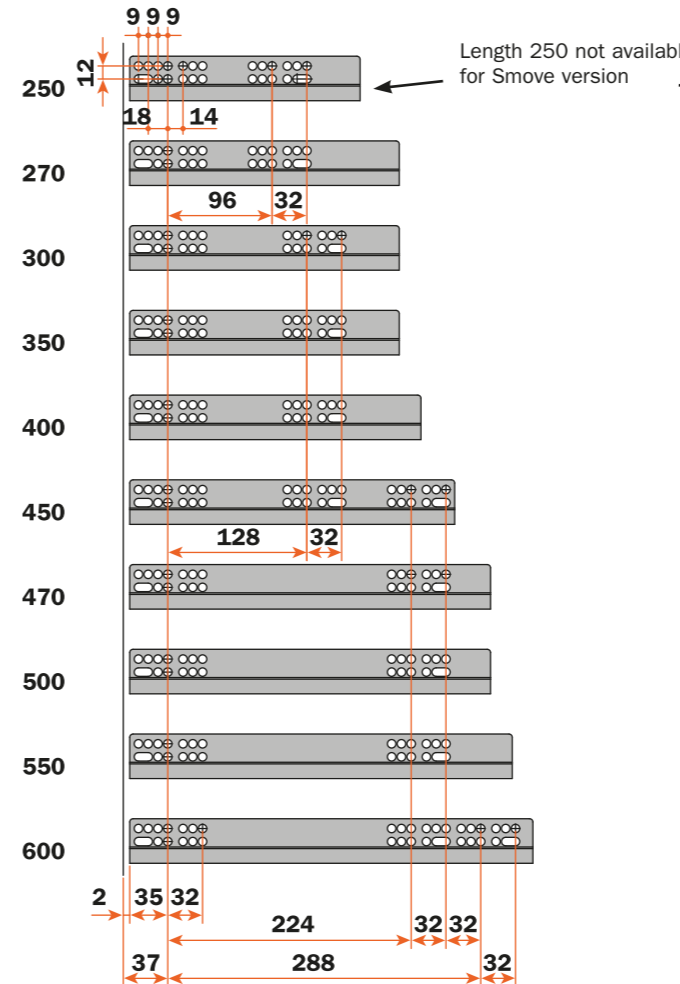


### Fixing full-extension runner on cabinet side

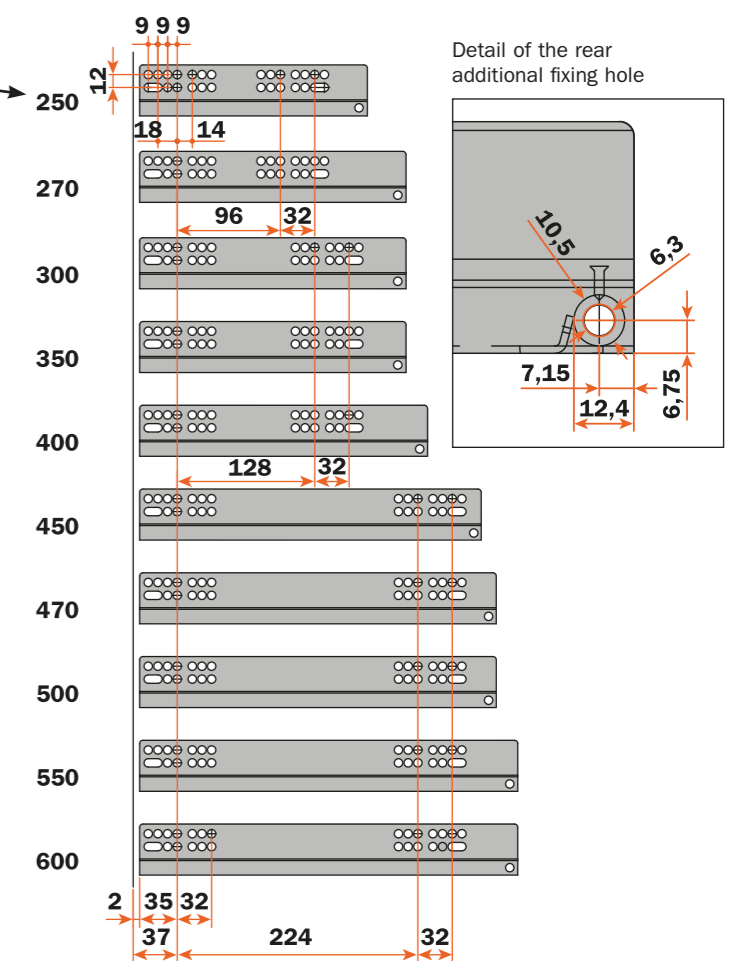


The oval slot allows the easy alignment of drawer frontals particularly in multi drawer and Push applications.

### Drilling positions for runner on cabinet side Part-extension



### Drilling positions for runner on cabinet side Full-extension

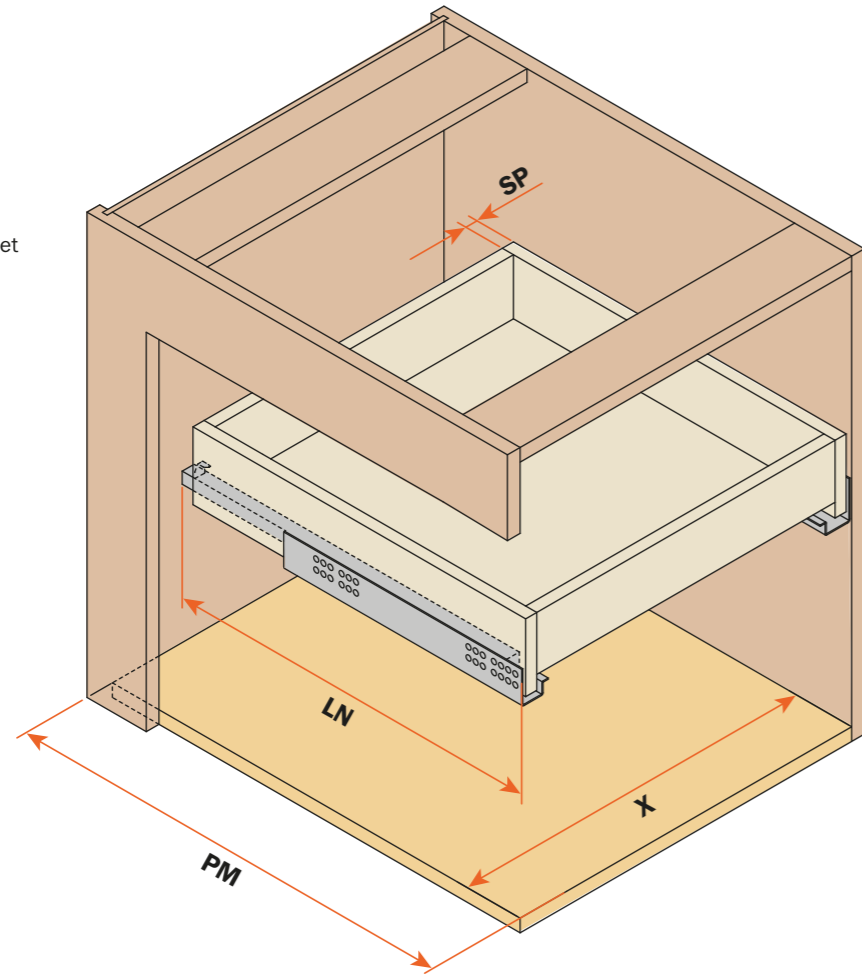


# Pin fix version - Drawer setting

## Drawer setting: abbreviations

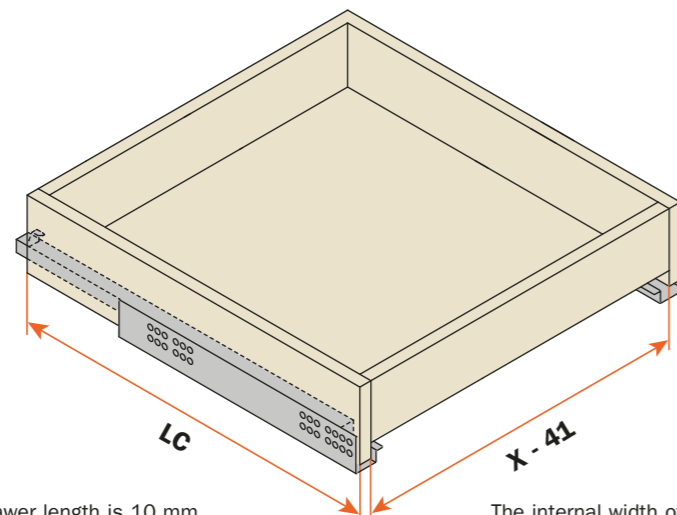
### Chest of drawers

- SP = Thickness of the drawer
- LN = Nominal runner length
- PM = Depth of the cabinet
- X = Internal width of the cabinet



### Drawer dimensions

- LC = Runner length - 10 mm
- X - 41 = Internal width of the drawer



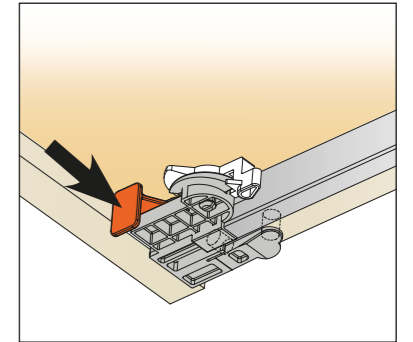
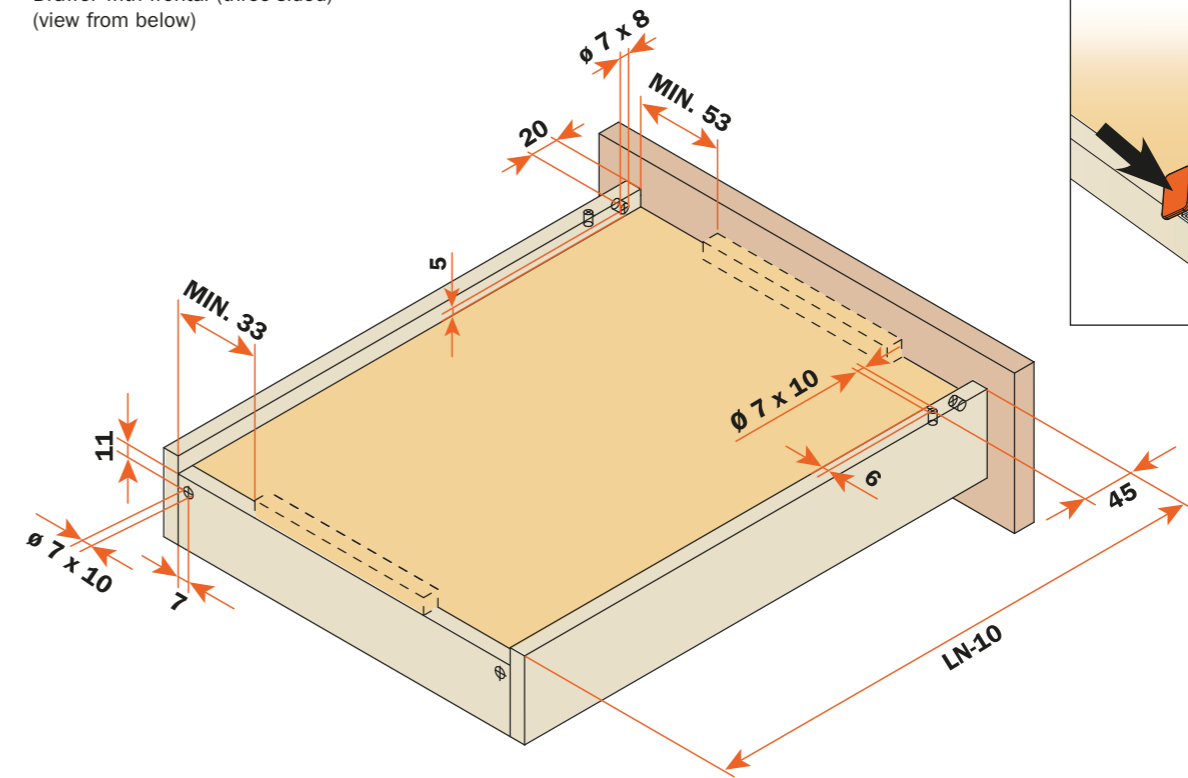
The drawer length is 10 mm shorter than the runner length

The internal width of the drawer is 41 mm less than the internal width of the cabinet

# Pin fix version - Drawer drilling

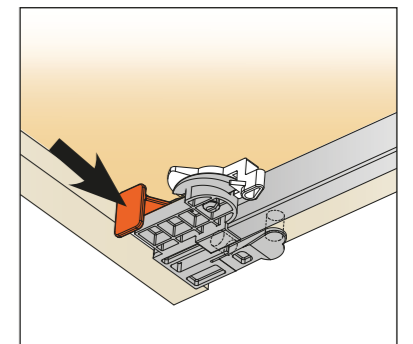
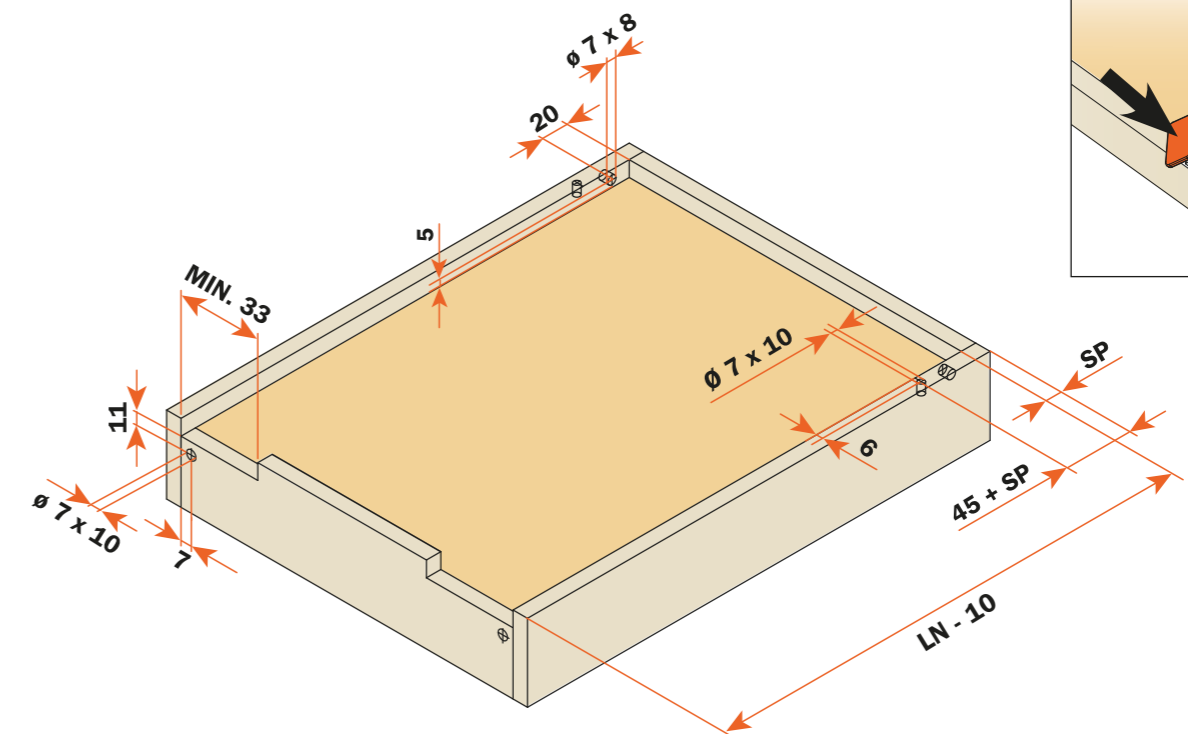
## Drawer drilling

Drawer with frontal (three-sided)  
(view from below)



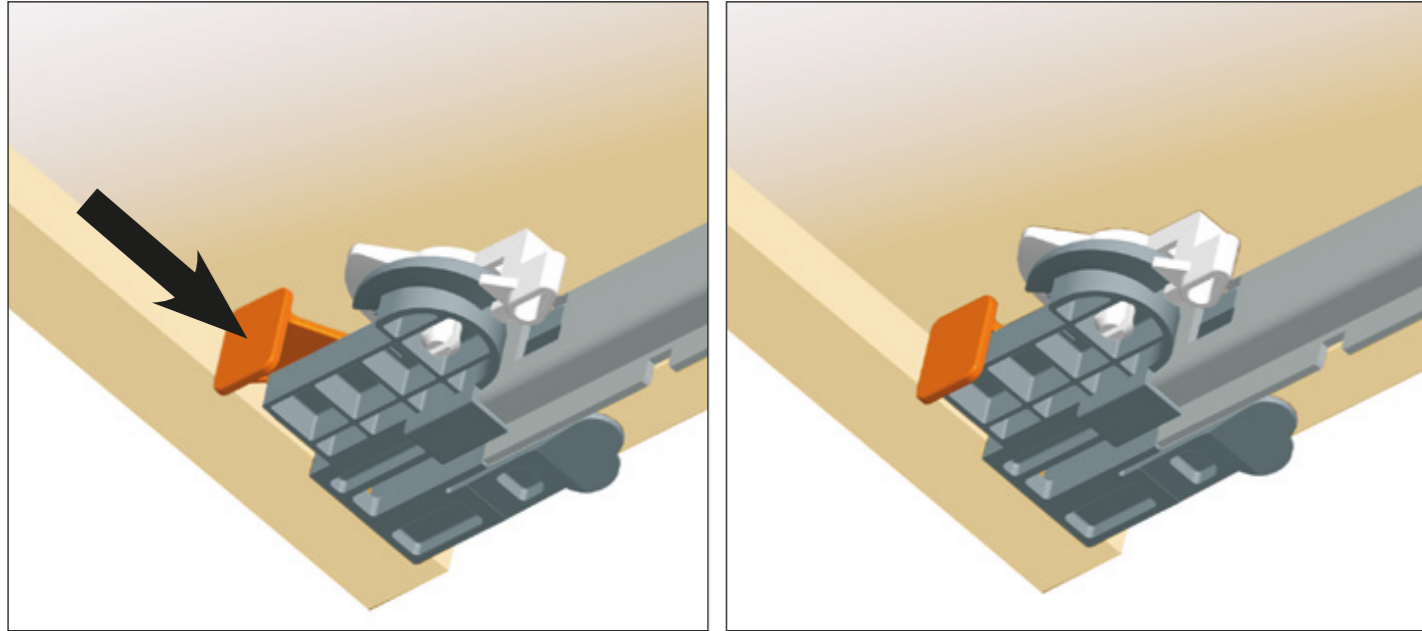
## Drawer drilling

Internal drawer (four-sided)  
(view from below)

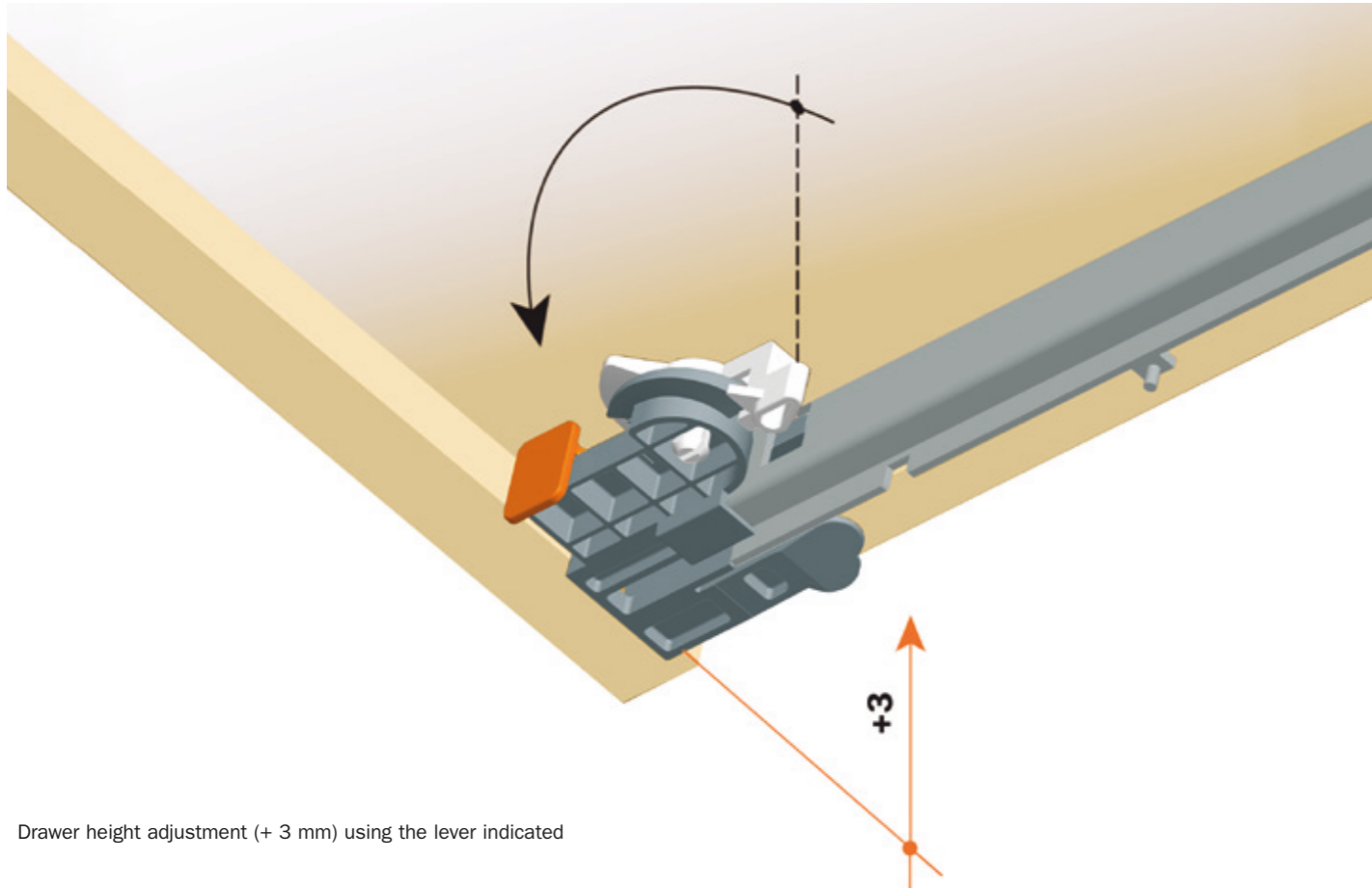


## Pin fix version - Technical information

### Fixing of the drawer security pin



### Drawer adjustment



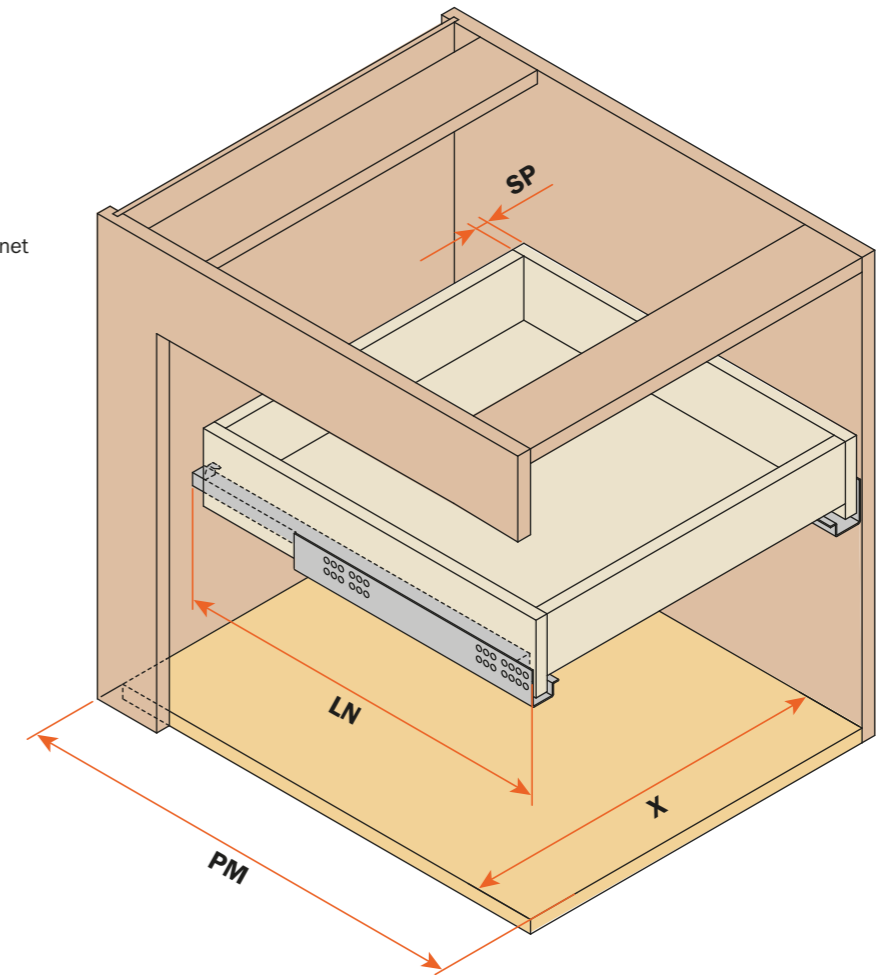
Drawer height adjustment (+ 3 mm) using the lever indicated

## Clip version - Drawer setting

### Drawer setting: abbreviations

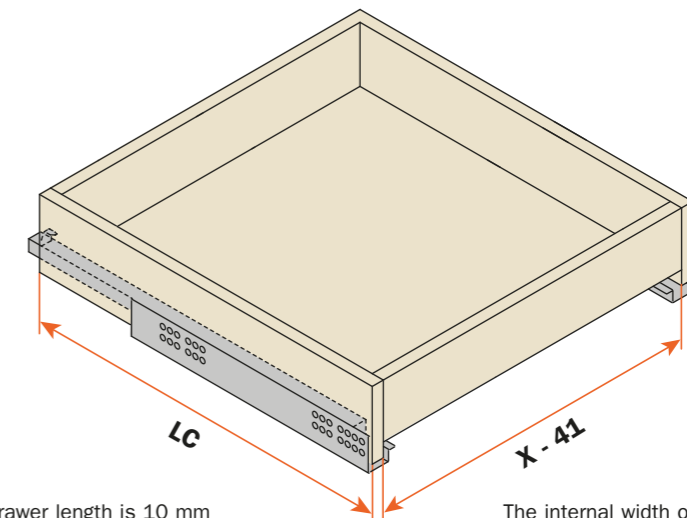
#### Chest of drawers

- SP = Thickness of the drawer
- LN = Nominal runner length
- PM = Depth of the cabinet
- X = Internal width of the cabinet



#### Drawer dimensions

- LC = Runner length - 10 mm
- X - 41 = Internal width of the drawer



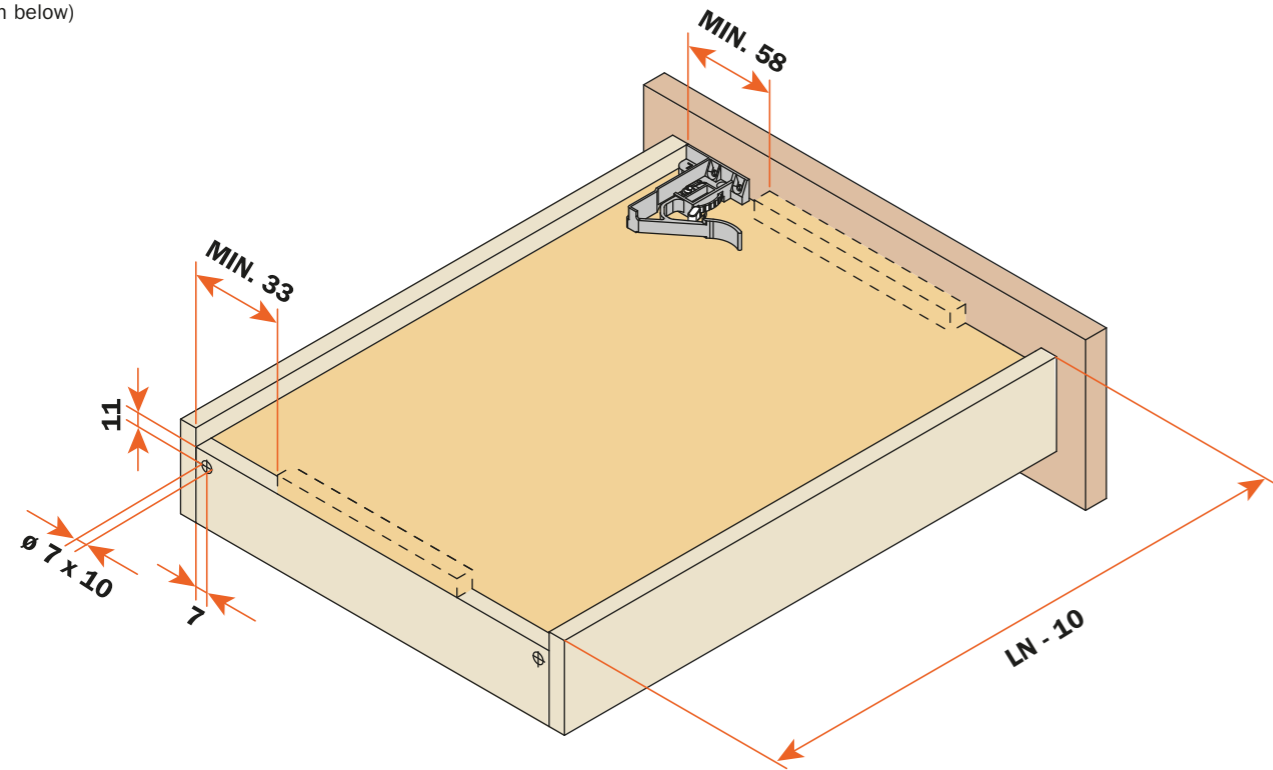
The drawer length is 10 mm shorter than the runner length

The internal width of the drawer is 41 mm less than the internal width of the cabinet

# Clip version - Drawer drilling

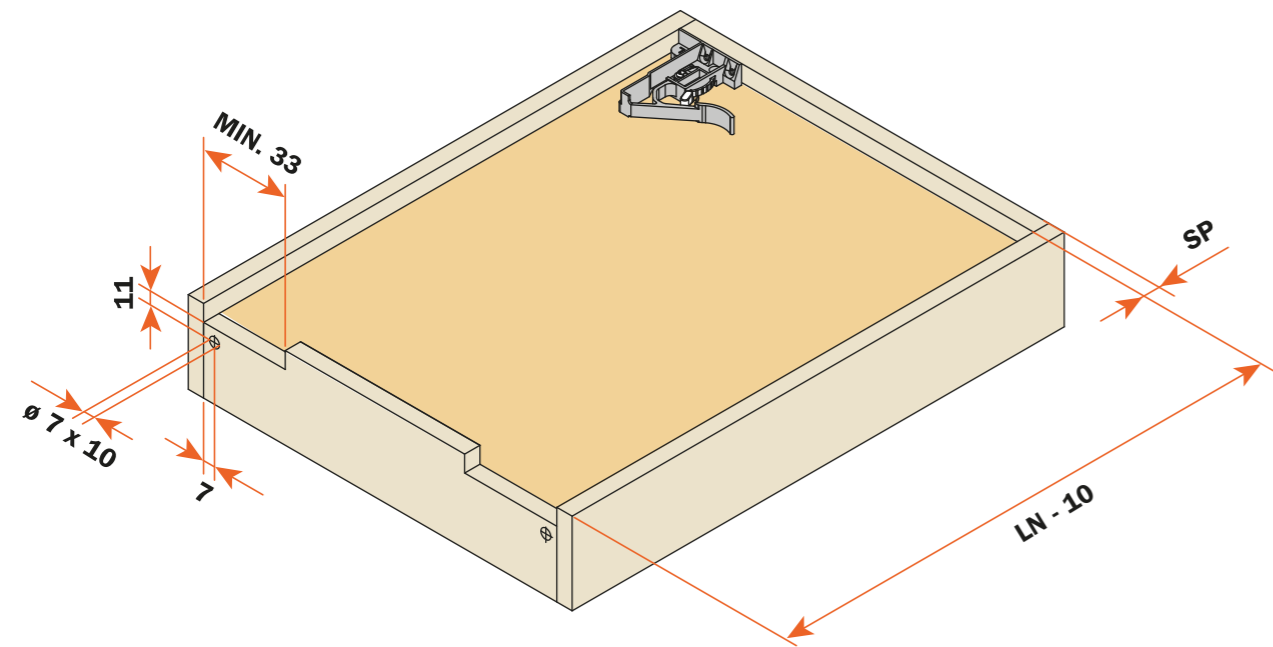
## Drawer drilling

Drawer with frontal (three-sided)  
(view from below)



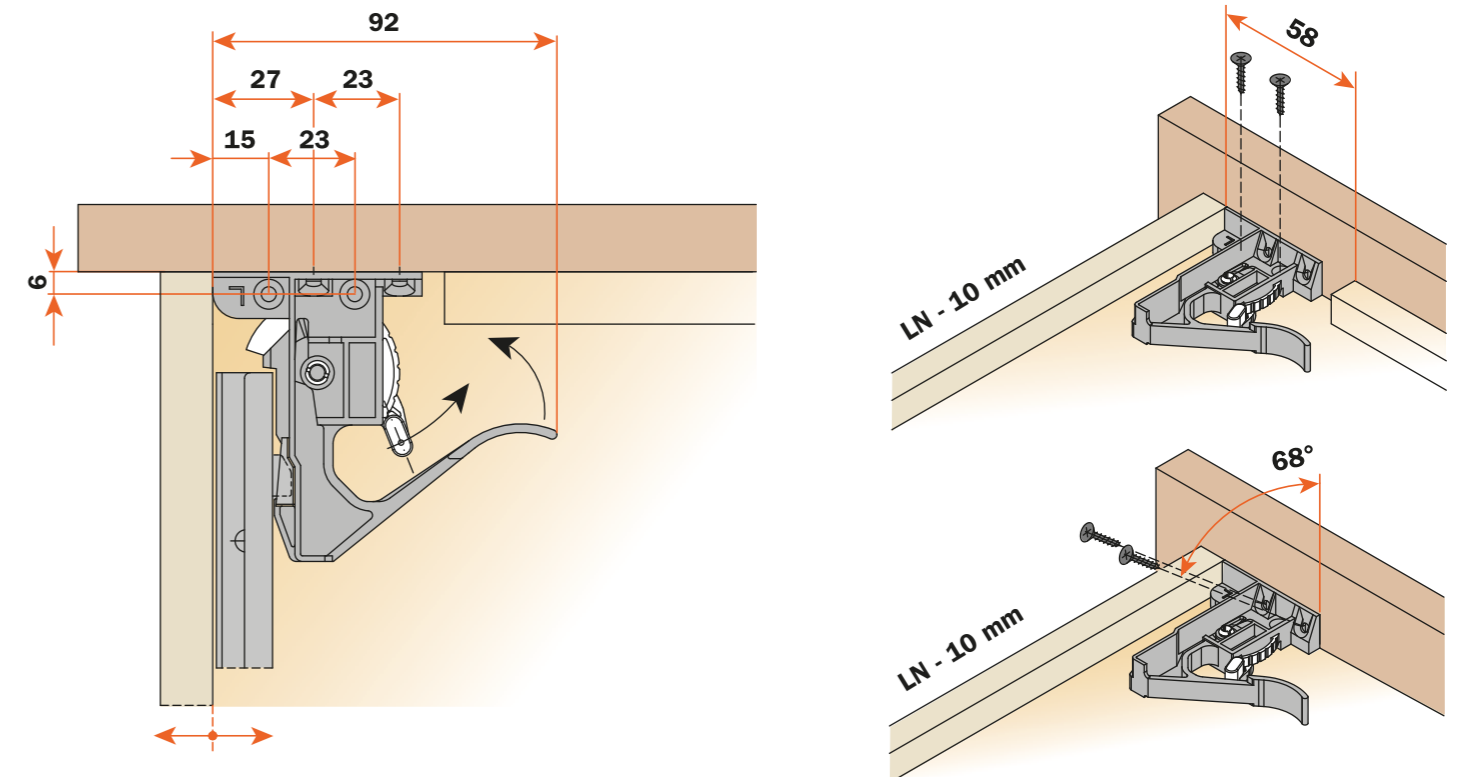
## Drawer drilling

Internal drawer (four-sided)  
(view from below)

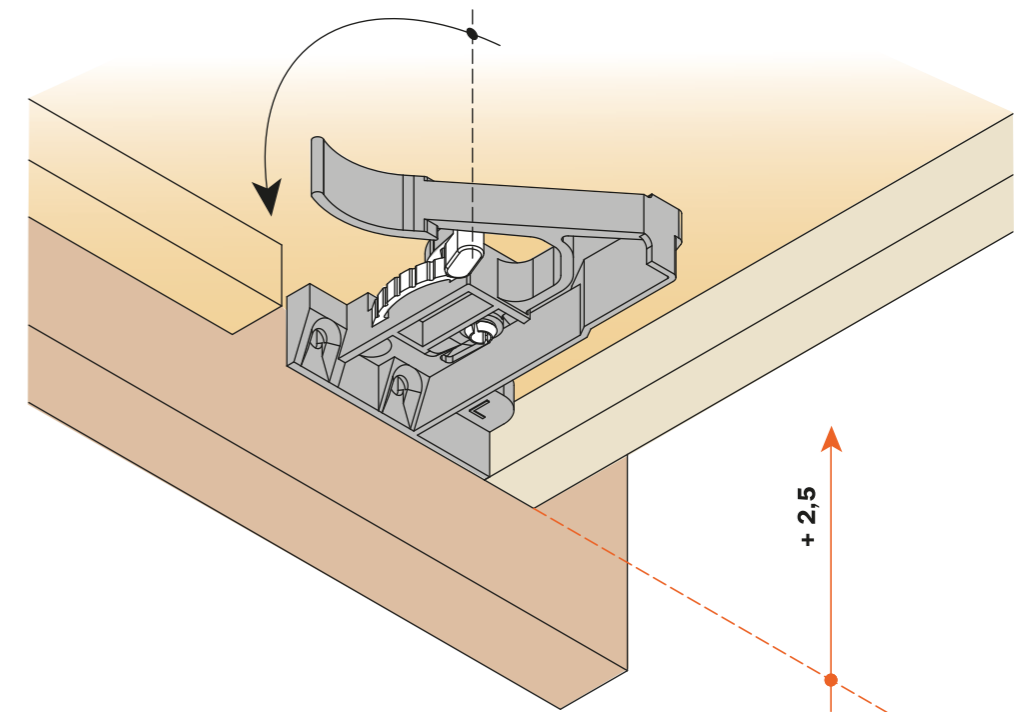


# Clip version - Technical information

## Fixing clip



## Drawer adjustment

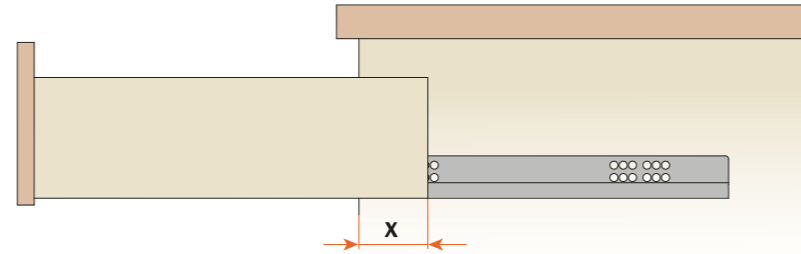


Drawer height adjustment (+ 2,5 mm) using the lever indicated

# Technical information

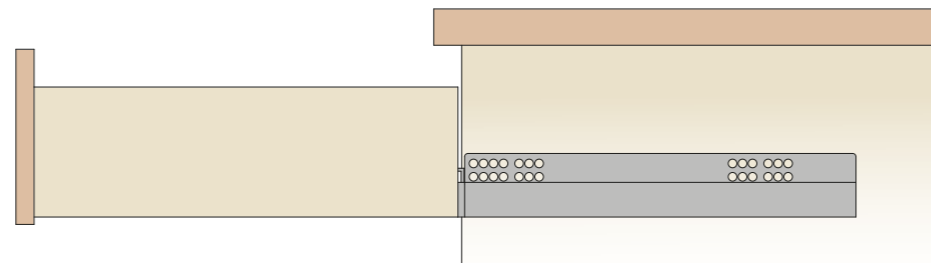
## Part-extension

Runner length (nominal size)  
 - from 250 to 470 mm → x = drawer length - 89 mm  
 - from 500 to 600 mm → x = drawer length - 119 mm



## Full-extension

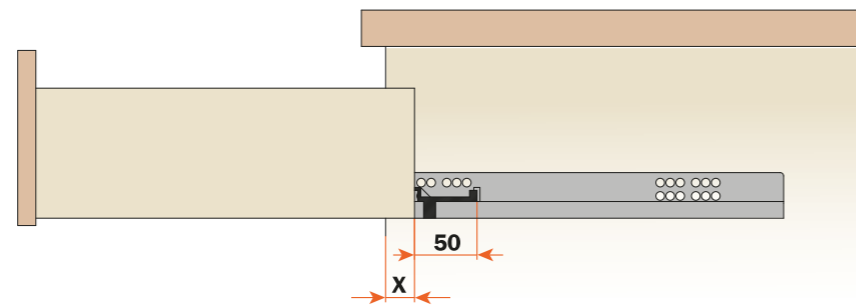
Drawer length = extension



## Part-extension with spacer

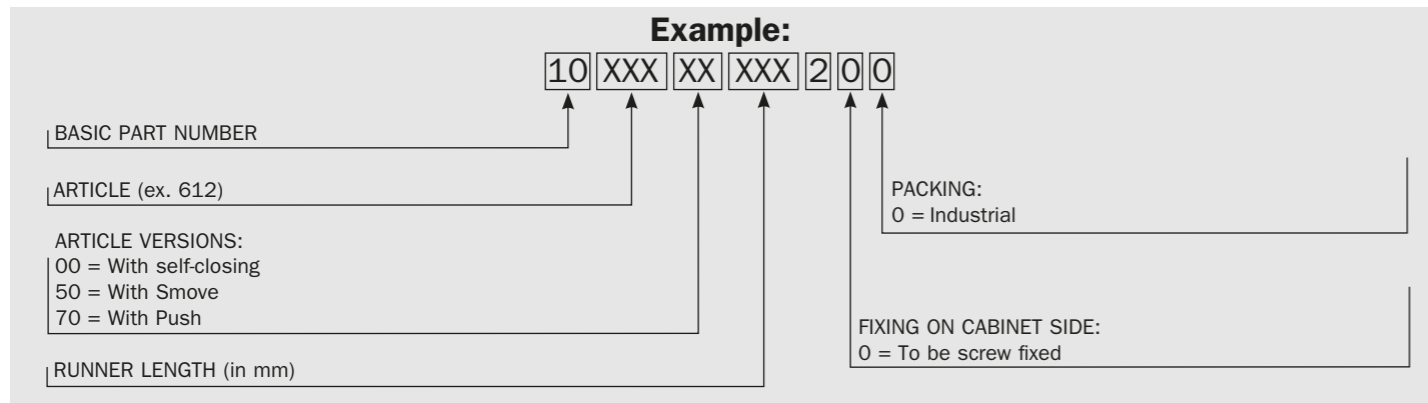
Runner length (nominal size)  
 - from 250 to 470 mm → x = total length - 39 mm  
 - from 500 to 600 mm → x = total length - 69 mm

With the application of the spacer on the part-extension runner and by reducing the drawer length by 50 mm, the portion of the drawer that remains in the cabinet when it is fully open is consequently reduced.



SPACER PART NUMBER  
 (to order separately)  
 1 0 610 000 50 600  
 Industrial packing: 100 couples

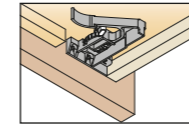
# Part number composition



# Packing

## Industrial

### CLIP VERSION



#### PART-EXTENSION

ARTICLE	LENGTH	PACKING
615	from 250 to 600	500 cp
6157 PUSH	from 250 to 600	500 cp
6155 SMOVE	from 250 to 400	400 cp
6155 SMOVE	from 450 to 600	320 cp

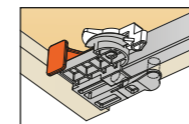
#### FULL-EXTENSION

ARTICLE	LENGTH	PACKING
655	from 250 to 400	400 cp
655	from 450 to 600	320 cp
6557 PUSH	from 250 to 400	400 cp
6557 PUSH	from 450 to 600	320 cp
6555 SMOVE	from 270 to 400	300 cp
6555 SMOVE	from 450 to 600	280 cp



Clips should be ordered separately. Two boxes of 100 clips each. One box contains 100 right side clips and another box 100 left side clips.

### PIN VERSION



#### PART-EXTENSION

ARTICLE	LENGTH	PACKING
612	from 250 to 400	400 cp
612	from 450 to 600	320 cp
6127 PUSH	from 250 to 400	400 cp
6127 PUSH	from 450 to 600	320 cp
6155 SMOVE	from 270 to 400	400 cp
6155 SMOVE	from 450 to 600	320 cp

#### FULL-EXTENSION

ARTICLE	LENGTH	PACKING
652	from 250 to 400	300 cp
652	from 450 to 600	280 cp
6527 PUSH	from 250 to 400	300 cp
6527 PUSH	from 450 to 600	280 cp
6525 SMOVE	from 270 to 400	300 cp
6525 SMOVE	from 450 to 600	280 cp



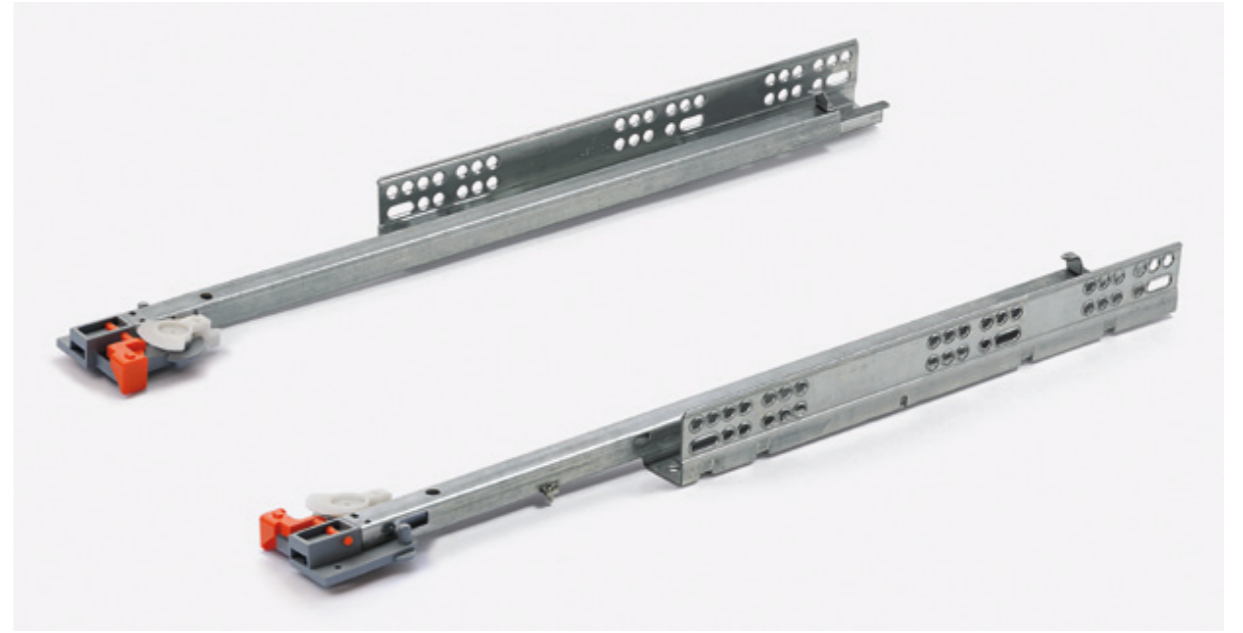
# Futura 612 - Concealed runner



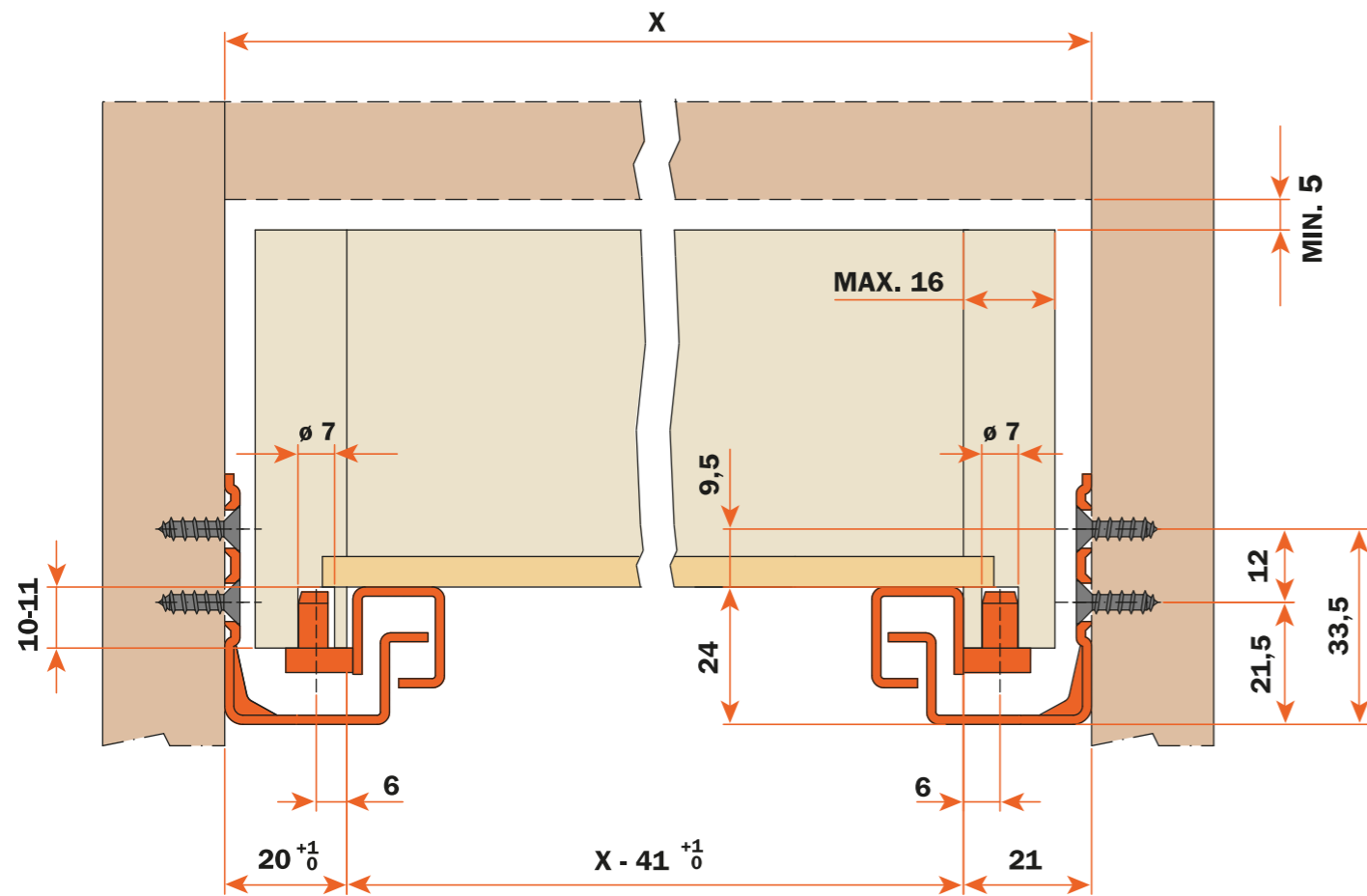
## PART-EXTENSION RUNNER FIXED TO THE DRAWER BY LOCATING PIN.

### Product features

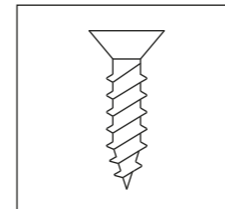
- Dynamic load capacity N 294 (Kg 30).
- Self-closing device on drawer.
- Safety system that prevents the drawers from turning over.
- Drawer height adjustment (+3 mm).
- The drawer is maintained parallel with the cabinet side during opening.
- Drawer fixing without screws.
- Compatible with ART. 652.
- Finish: bright zinc-plated.



## Dimensions



## Part number



To be screw fixed  
Screw TSP  $\phi 3,5$  mm

BASIC PART NUMBER	RUNNER LENGTH (LN)	=	MIN. DEPTH OF THE CABINET (PM)
1 0 612 00 250 2 0 0	250		250
1 0 612 00 270 2 0 0	270		270
1 0 612 00 300 2 0 0	300		300
1 0 612 00 350 2 0 0	350		350
1 0 612 00 400 2 0 0	400		400
1 0 612 00 450 2 0 0	450		450
1 0 612 00 470 2 0 0	470		470
1 0 612 00 500 2 0 0	500		500
1 0 612 00 550 2 0 0	550		550
1 0 612 00 600 2 0 0	600		600

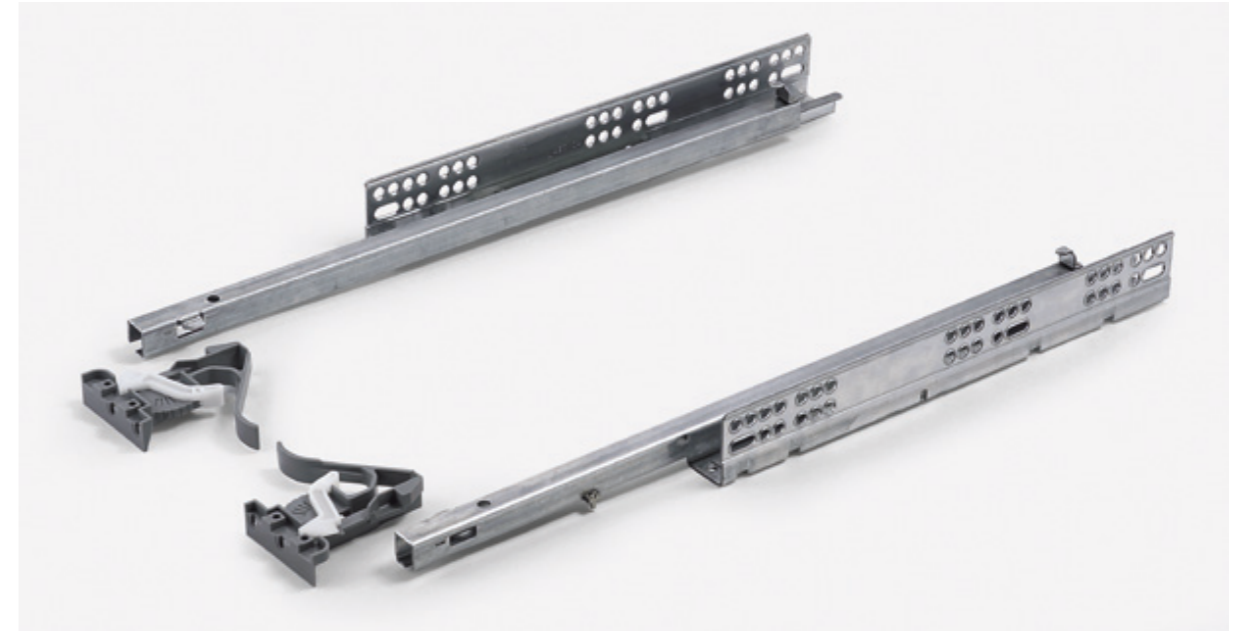
# Futura 615 - Concealed runner



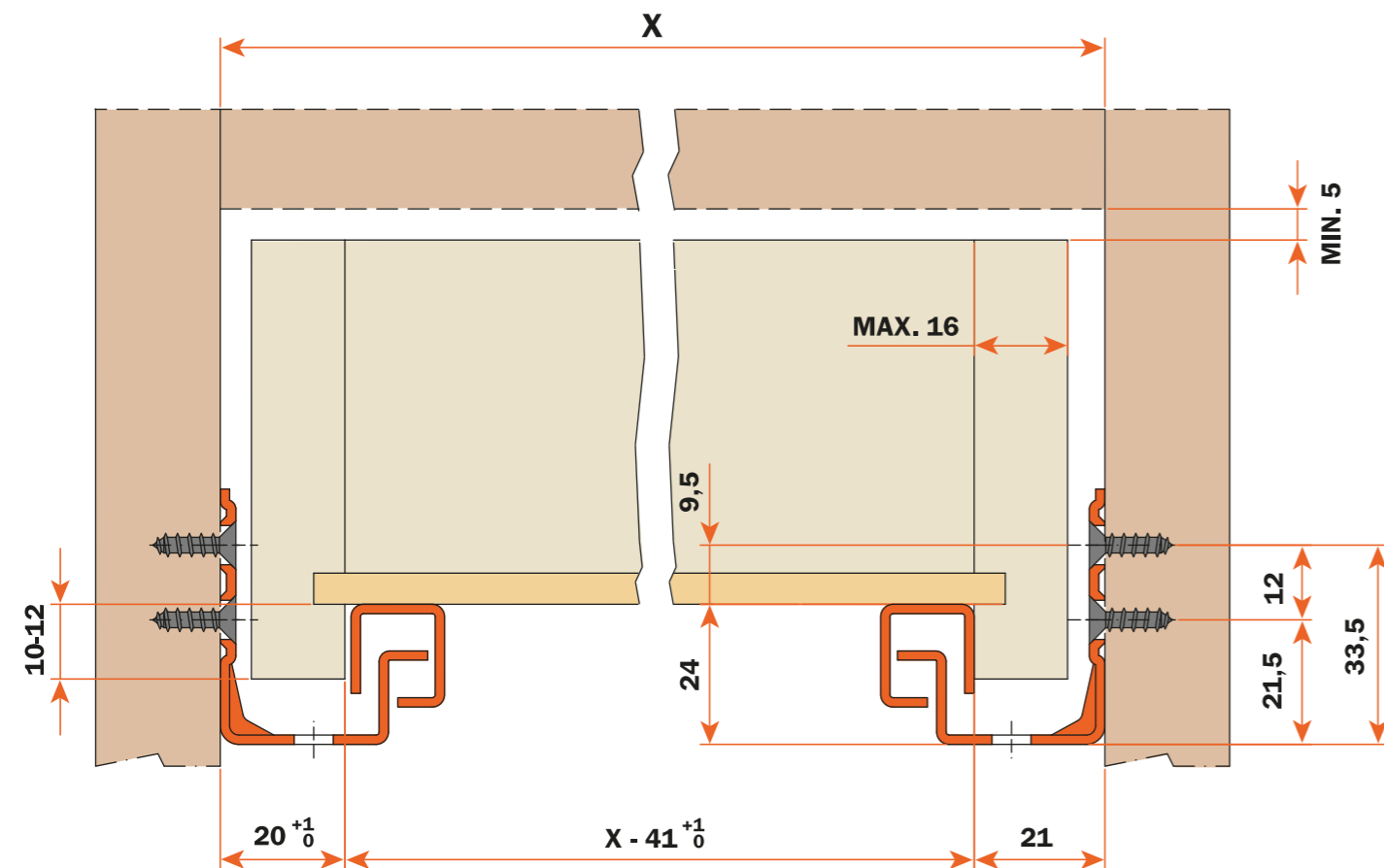
## PART-EXTENSION RUNNER FIXED TO THE DRAWER BY CLIP.

### Product features

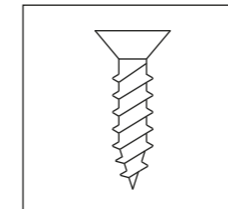
- Dynamic load capacity N 294 (Kg 30).
- Self-closing device on drawer.
- Safety system that prevents the drawers from turning over.
- Drawer height adjustment (+2,5 mm).
- The drawer is maintained parallel with the cabinet side during opening.
- Compatible with ART. 655.
- Finish: bright zinc-plated.



## Dimensions



## Part number



To be screw fixed  
Screw TSP  $\varnothing$  3,5 mm

BASIC PART NUMBER	RUNNER LENGTH (LN)	=	MIN. DEPTH OF THE CABINET (PM)
1 0 615 00 250 2 0 0	250		250
1 0 615 00 270 2 0 0	270		270
1 0 615 00 300 2 0 0	300		300
1 0 615 00 350 2 0 0	350		350
1 0 615 00 400 2 0 0	400		400
1 0 615 00 450 2 0 0	450		450
1 0 615 00 470 2 0 0	470		470
1 0 615 00 500 2 0 0	500		500
1 0 615 00 550 2 0 0	550		550
1 0 615 00 600 2 0 0	600		600

## CLIP PART NUMBER

1 0 710 00 010 1 0 0



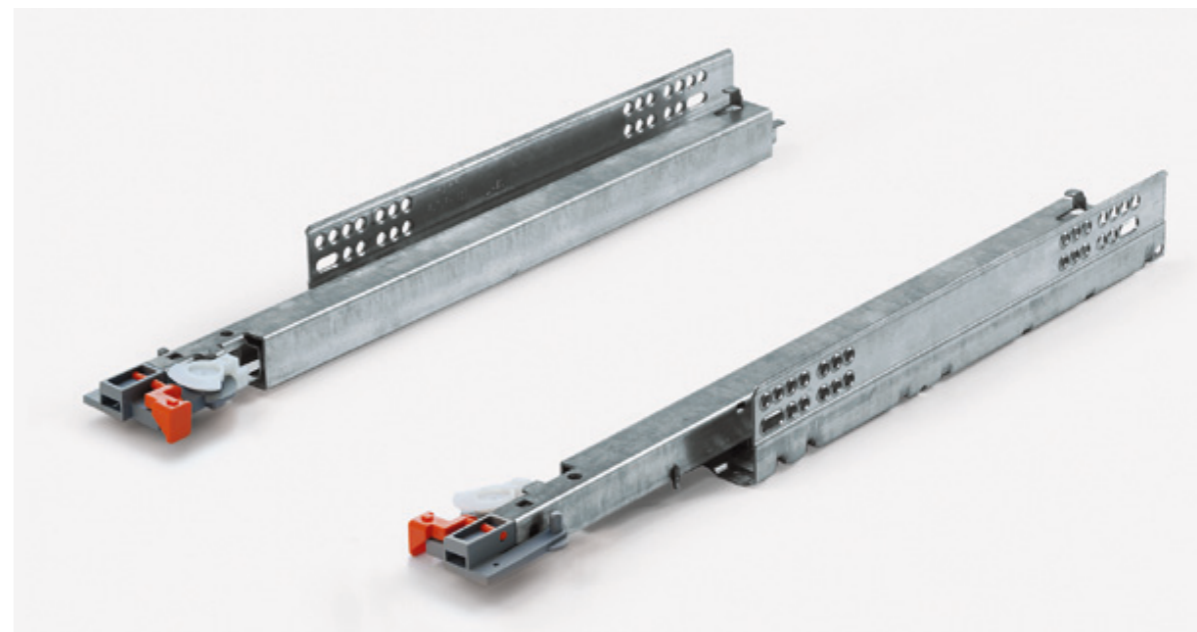
# Futura 652 - Concealed runner



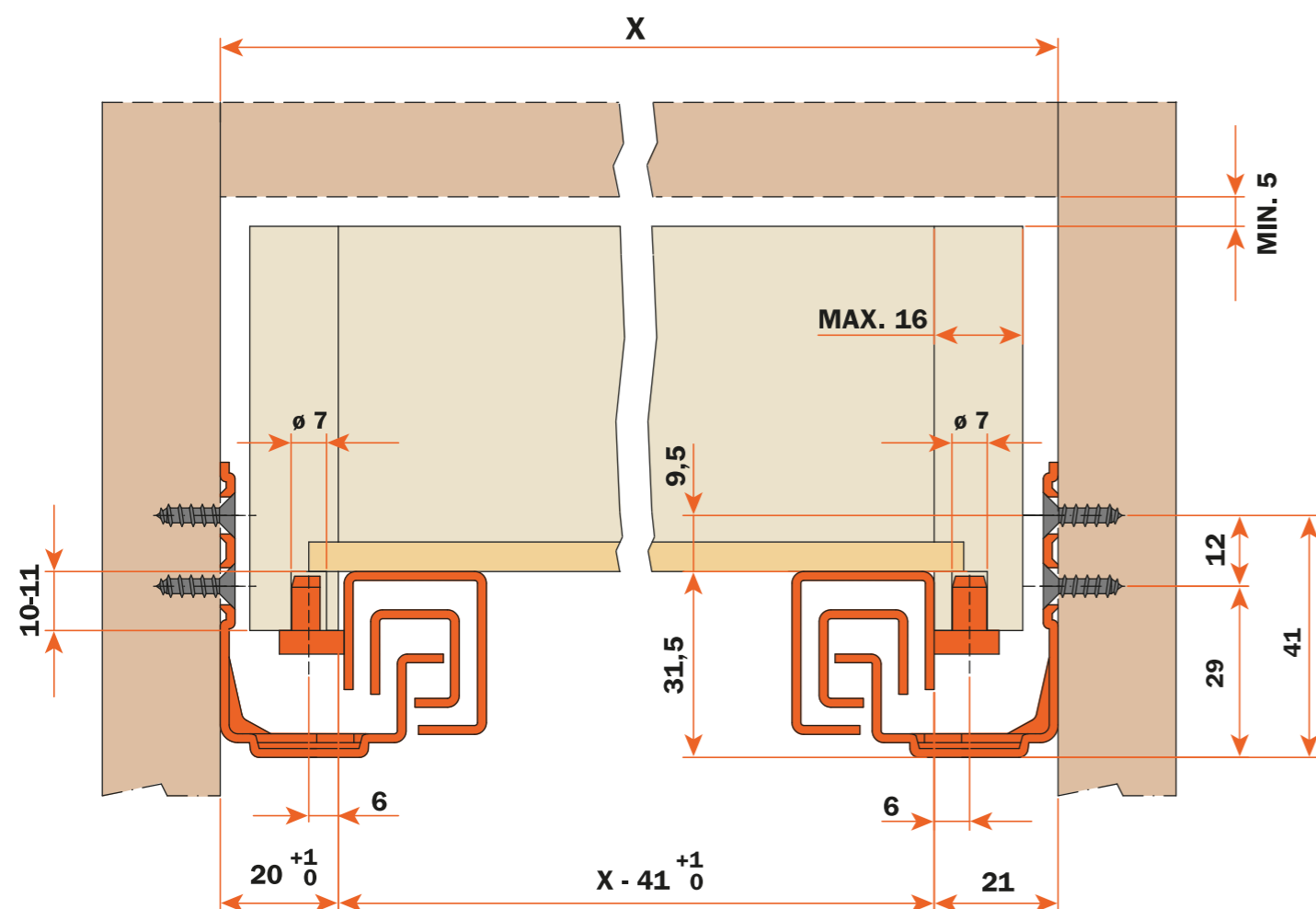
## FULL-EXTENSION RUNNER FIXED TO THE DRAWER BY LOCATING PIN.

### Product features

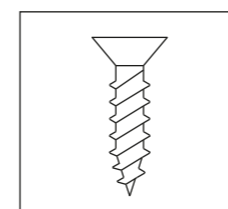
- Dynamic load capacity N 294 (Kg 30).
- Self-closing device on drawer.
- Safety system that prevents the drawers from turning over.
- Drawer height adjustment (+3 mm).
- The drawer is maintained parallel with the cabinet side during opening.
- Drawer fixing without screws.
- Compatible with ART. 612.
- Finish: bright zinc-plated.



## Dimensions



## Part number



To be screw fixed  
Screw TSP  $\phi 3,5$  mm

BASIC PART NUMBER	RUNNER LENGTH (LN)	MIN. DEPTH OF THE CABINET (PM)
1 0 652 00 250 2 0 0	250	262
1 0 652 00 270 2 0 0	270	274
1 0 652 00 300 2 0 0	300	300
1 0 652 00 350 2 0 0	350	350
1 0 652 00 400 2 0 0	400	400
1 0 652 00 450 2 0 0	450	460
1 0 652 00 470 2 0 0	470	470
1 0 652 00 500 2 0 0	500	500
1 0 652 00 550 2 0 0	550	550
1 0 652 00 600 2 0 0	600	600

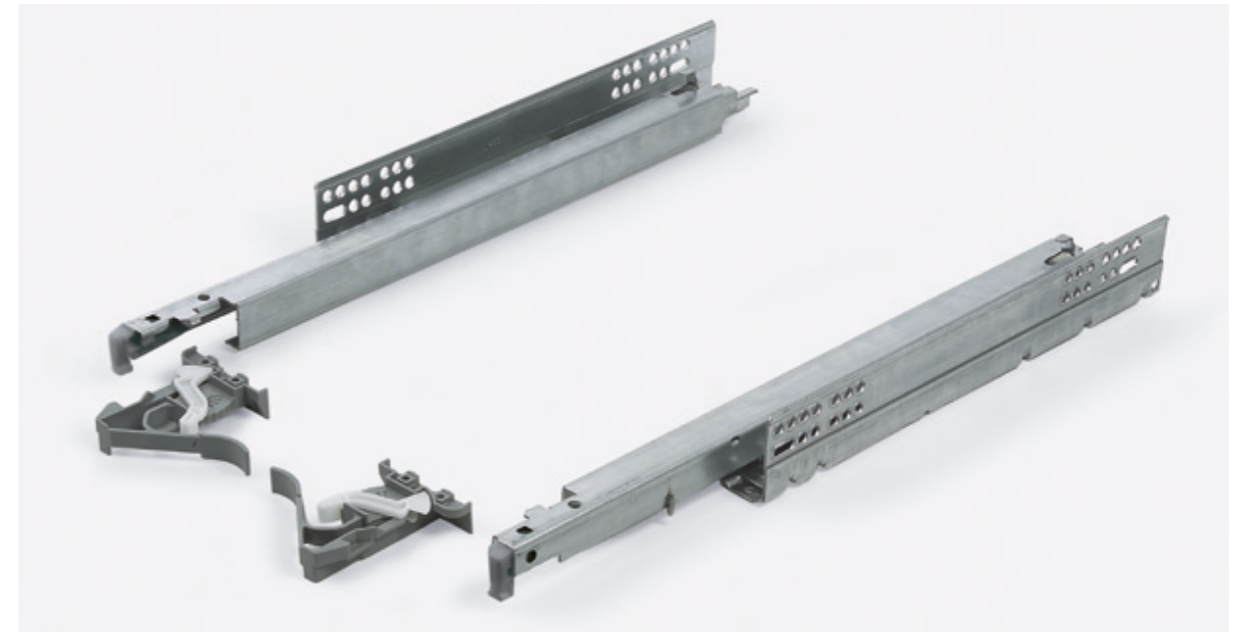
# Futura 655 - Concealed runner



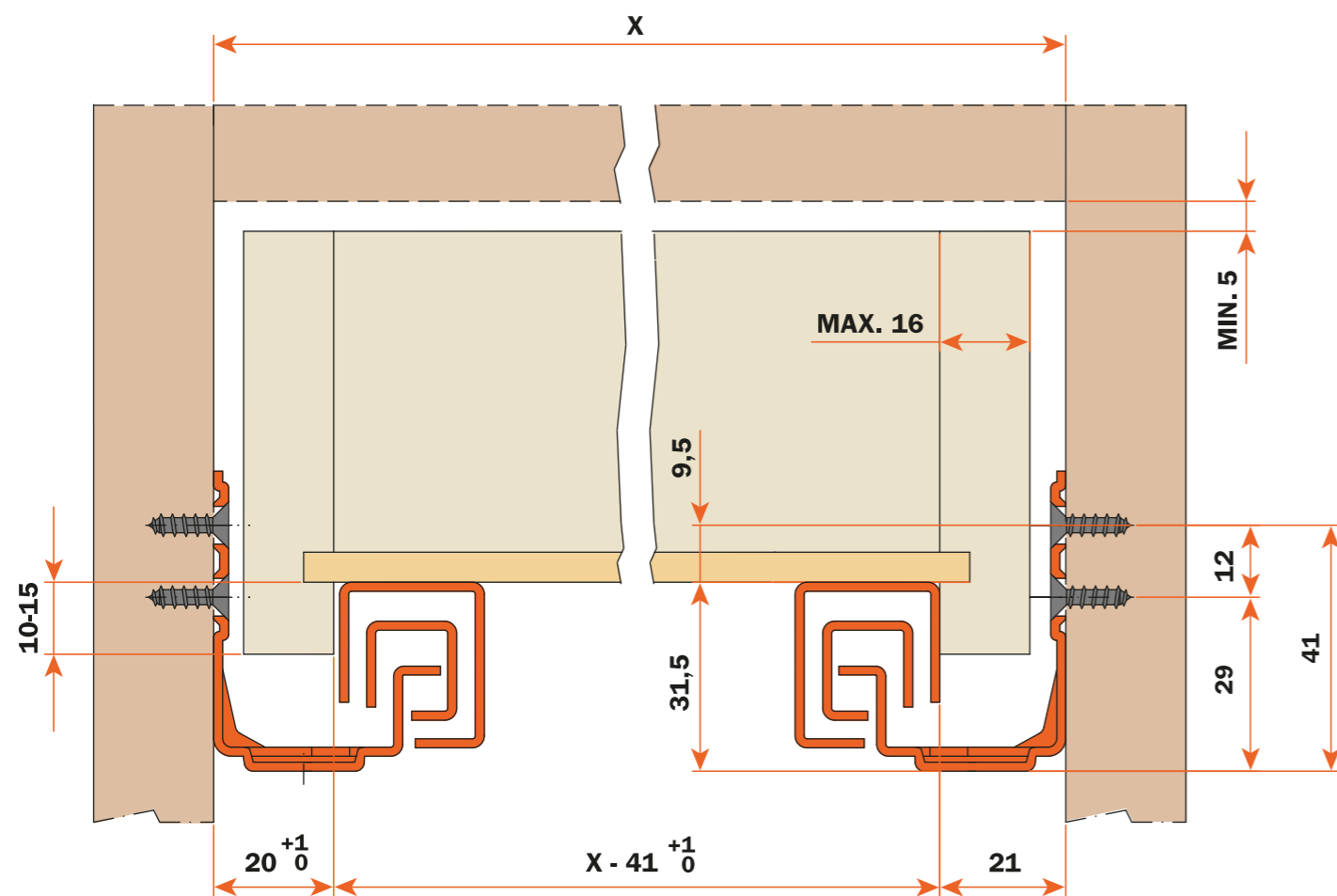
## FULL-EXTENSION RUNNER FIXED TO THE DRAWER BY CLIP.

### Product features

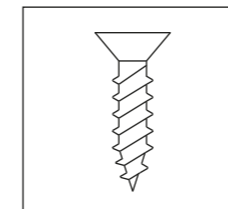
- Dynamic load capacity N 294 (Kg 30).
- Self-closing device on drawer.
- Safety system that prevents the drawers from turning over.
- Drawer height adjustment (+2,5 mm).
- The drawer is maintained parallel with the cabinet side during opening.
- Compatible with ART. 615.
- Finish: bright zinc-plated.



## Dimensions



## Part number



To be screw fixed  
Screw TSP  $\varnothing$  3,5 mm

BASIC PART NUMBER	RUNNER LENGTH (LN)	MIN. DEPTH OF THE CABINET (PM)
1 0 655 00 250 2 0 0	250	262
1 0 655 00 270 2 0 0	270	274
1 0 655 00 300 2 0 0	300	300
1 0 655 00 350 2 0 0	350	350
1 0 655 00 400 2 0 0	400	400
1 0 655 00 450 2 0 0	450	460
1 0 655 00 470 2 0 0	470	470
1 0 655 00 500 2 0 0	500	500
1 0 655 00 550 2 0 0	550	550
1 0 655 00 600 2 0 0	600	600

CLIP PART NUMBER
1 0 710 00 010 1 0 0

# Futura Push 6127 - Concealed runner

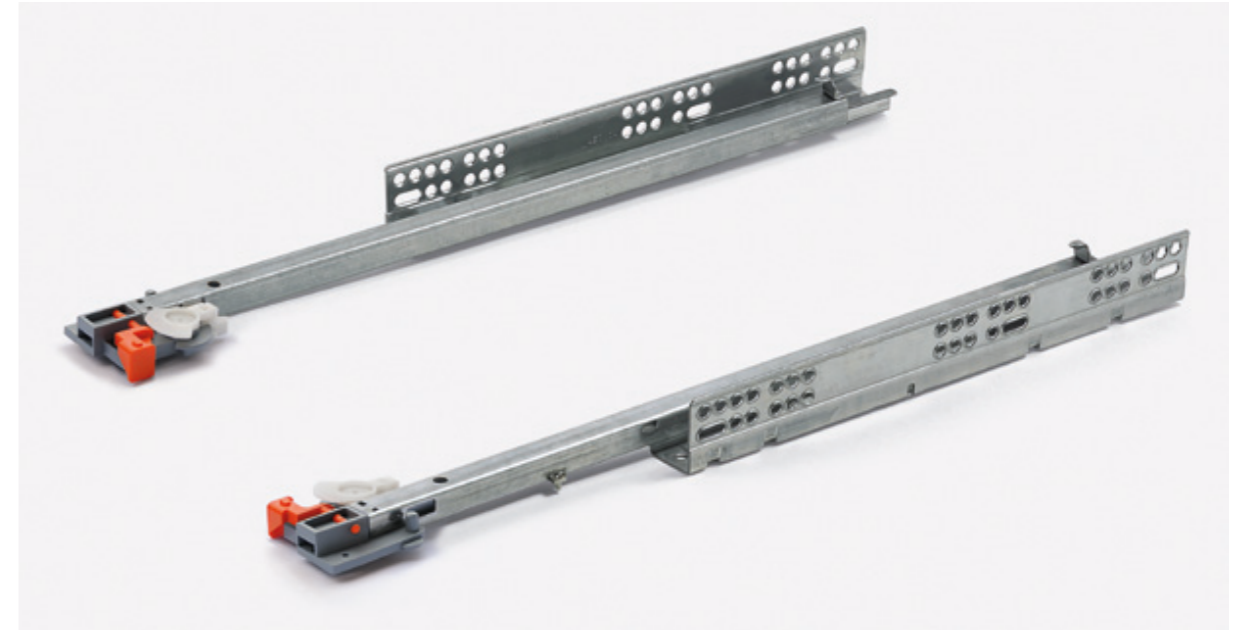


**PART-EXTENSION RUNNER FIXED TO THE DRAWER BY LOCATING PIN.**

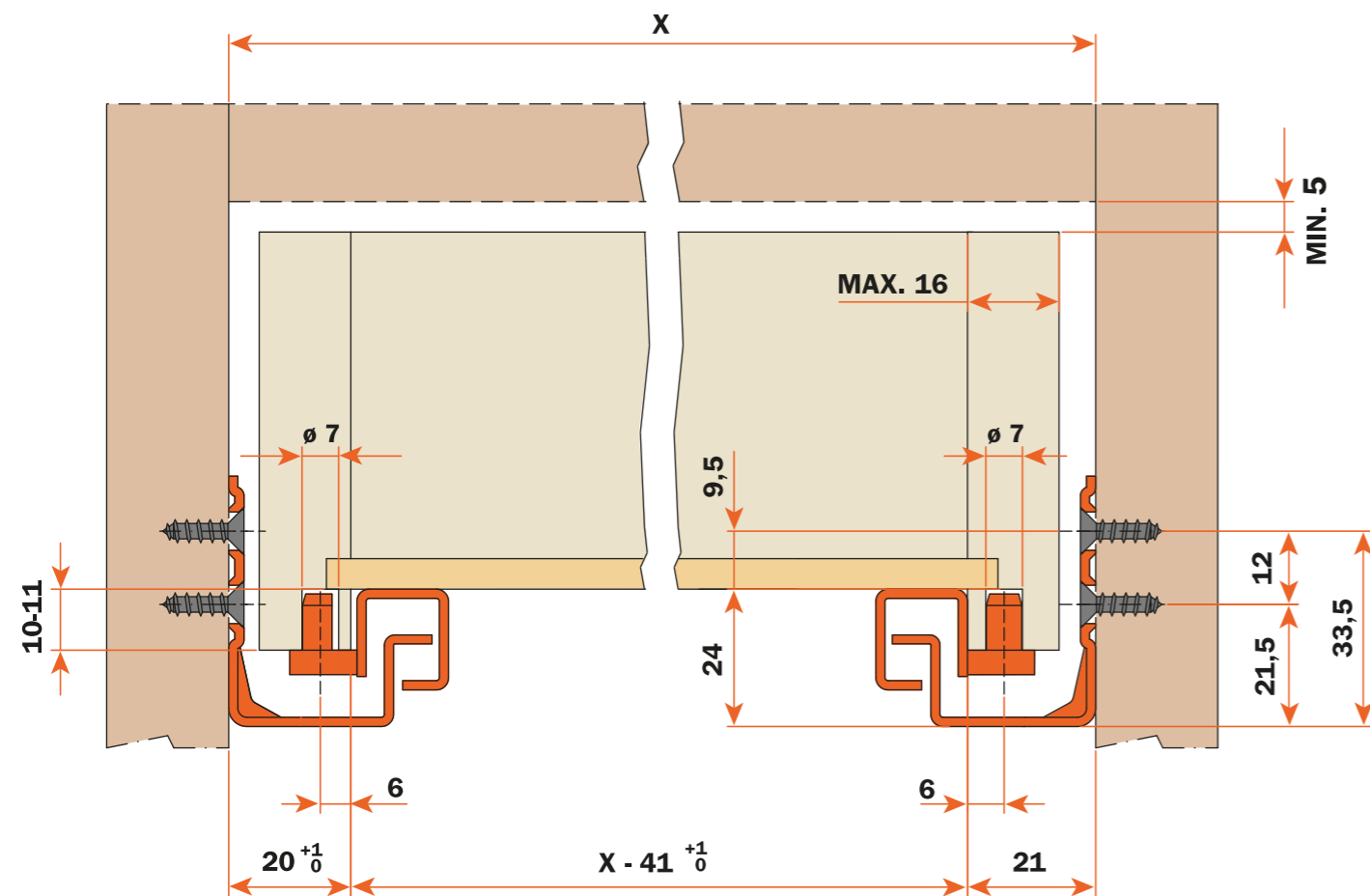
**PUSH: THE NEW OPENING SYSTEM FOR HANDLE-LESS DRAWERS, IS FULLY INTEGRATED IN THE RUNNER. A SLIGHT PRESSURE OF THE DRAWER FRONTAL IS SUFFICIENT FOR THE DRAWER TO SELF-OPEN.**

**Product features**

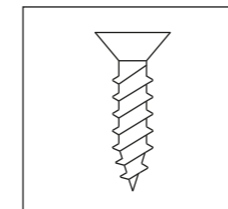
- Dynamic load capacity N 294 (Kg 30).
- With Push opening system.
- Safety system that prevents the drawers from turning over.
- Drawer height adjustment (+3 mm).
- The drawer is maintained parallel with the cabinet side during opening.
- Drawer fixing without screws.
- The drawer is held in the closed position and requires positive effort to open it.
- Compatible with ART. 6527.
- Finish: bright zinc-plated.



## Dimensions



## Part number



To be screw fixed  
Screw TSP  $\varnothing$  3,5 mm

BASIC PART NUMBER	RUNNER LENGTH (LN)	=	MIN. DEPTH OF THE CABINET (PM)
1 0 612 70 250 2 0 0	250		250
1 0 612 70 270 2 0 0	270		270
1 0 612 70 300 2 0 0	300		300
1 0 612 70 350 2 0 0	350		350
1 0 612 70 400 2 0 0	400		400
1 0 612 70 450 2 0 0	450		450
1 0 612 70 470 2 0 0	470		470
1 0 612 70 500 2 0 0	500		500
1 0 612 70 550 2 0 0	550		550
1 0 612 70 600 2 0 0	600		600

# Futura Push 6157 - Concealed runner



**PART-EXTENSION RUNNER FIXED TO THE DRAWER BY CLIP.**

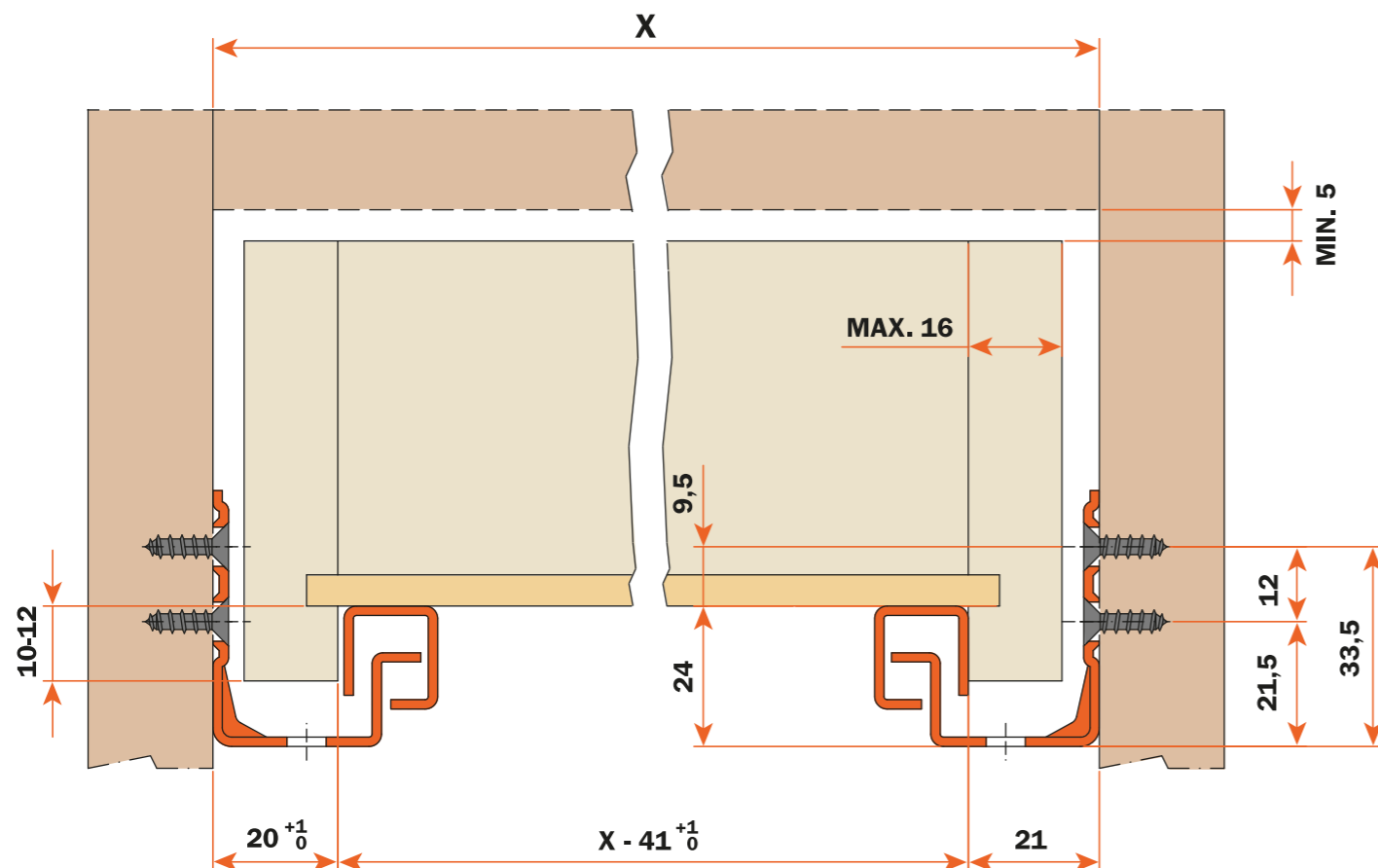
**PUSH: THE NEW OPENING SYSTEM FOR HANDLE-LESS DRAWERS, IS FULLY INTEGRATED IN THE RUNNER. A SLIGHT PRESSURE OF THE DRAWER FRONTAL IS SUFFICIENT FOR THE DRAWER TO SELF-OPEN.**

**Product features**

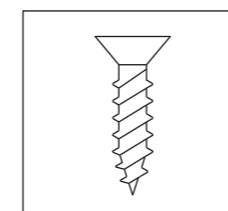
- Dynamic load capacity N 294 (Kg 30).
- With Push opening system.
- Safety system that prevents the drawers from turning over.
- Drawer height adjustment (+2,5 mm).
- The drawer is maintained parallel with the cabinet side during opening.
- The drawer is held in the closed position and requires positive effort to open it.
- Compatible with ART. 6557.
- Finish: bright zinc-plated.



## Dimensions



## Part number



To be screw fixed  
Screw TSP  $\varnothing$  3,5 mm

BASIC PART NUMBER	RUNNER LENGTH (LN)	=	MIN. DEPTH OF THE CABINET (PM)
1 0 615 70 250 2 0 0	250		250
1 0 615 70 270 2 0 0	270		270
1 0 615 70 300 2 0 0	300		300
1 0 615 70 350 2 0 0	350		350
1 0 615 70 400 2 0 0	400		400
1 0 615 70 450 2 0 0	450		450
1 0 615 70 470 2 0 0	470		470
1 0 615 70 500 2 0 0	500		500
1 0 615 70 550 2 0 0	550		550
1 0 615 70 600 2 0 0	600		600

**CLIP PART NUMBER**

1 0 710 00 010 1 0 0

# Futura Push 6527 - Concealed runner

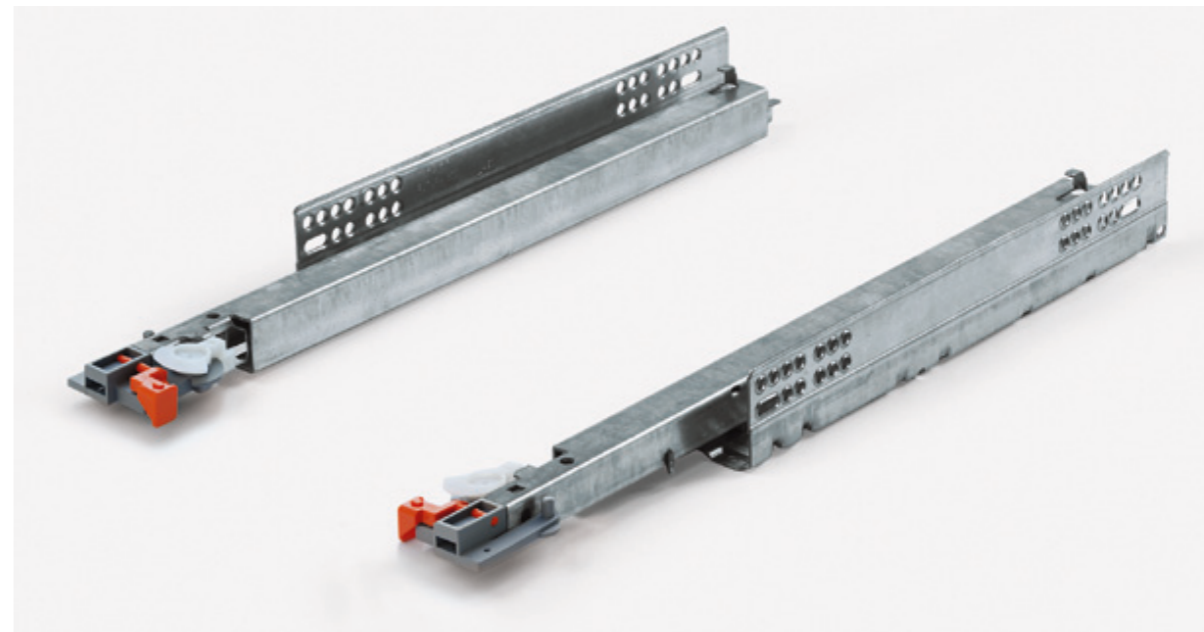


FULL-EXTENSION RUNNER FIXED TO THE DRAWER BY LOCATING PIN.

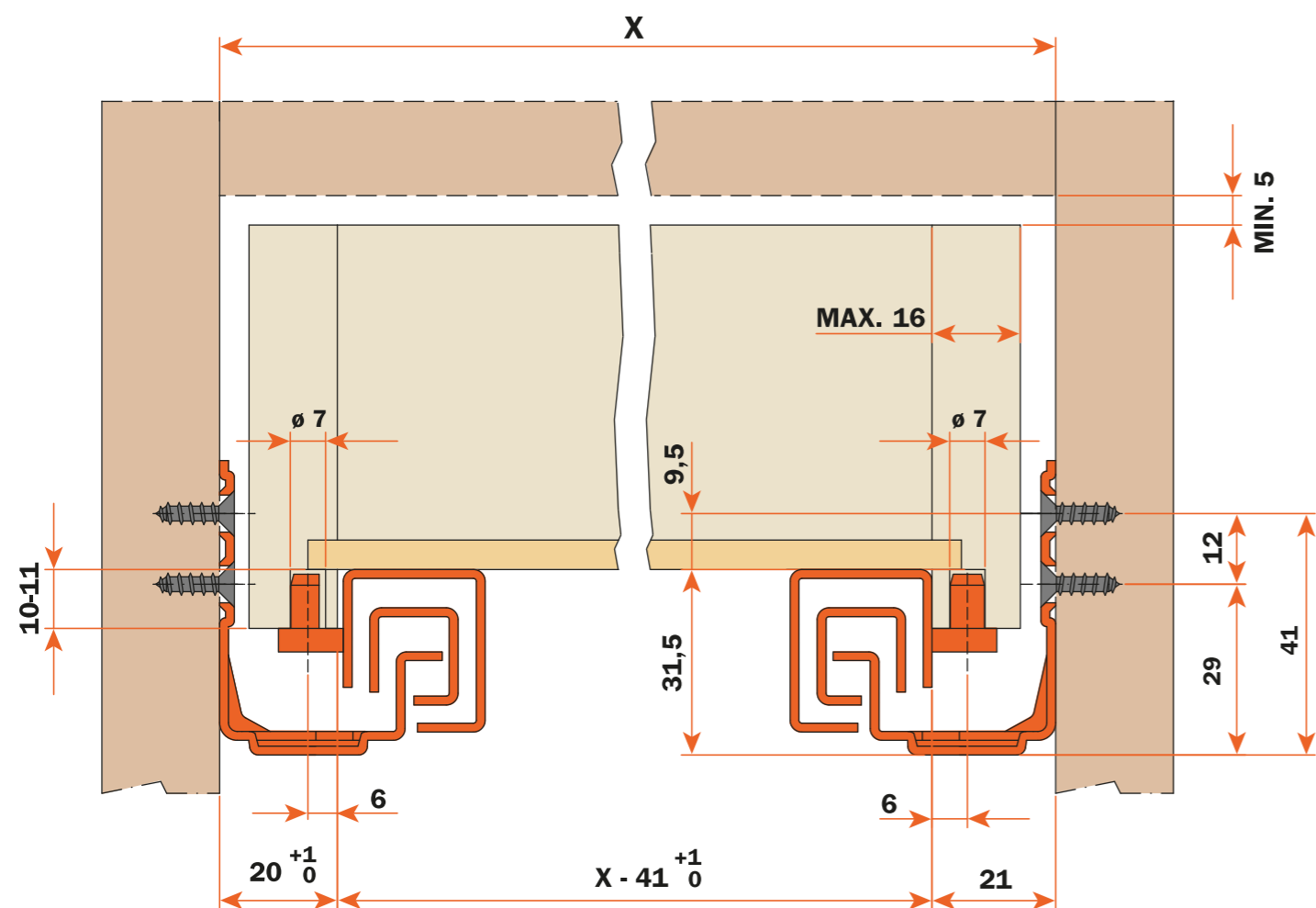
**PUSH: THE NEW OPENING SYSTEM FOR HANDLE-LESS DRAWERS, IS FULLY INTEGRATED IN THE RUNNER. A SLIGHT PRESSURE OF THE DRAWER FRONTAL IS SUFFICIENT FOR THE DRAWER TO SELF-OPEN.**

**Product features**

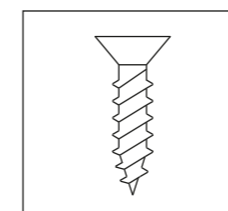
- Dynamic load capacity N 294 (Kg 30).
- With Push opening system.
- Safety system that prevents the drawers from turning over.
- Drawer height adjustment (+3 mm).
- The drawer is maintained parallel with the cabinet side during opening.
- Drawer fixing without screws.
- The drawer is held in the closed position and requires positive effort to open it.
- Compatible with ART. 6127.
- Finish: bright zinc-plated.



## Dimensions



## Part number



To be screw fixed  
Screw TSP ø 3,5 mm

BASIC PART NUMBER	RUNNER LENGTH (LN)	MIN. DEPTH OF THE CABINET (PM)
1 0 652 70 250 2 0 0	250	262
1 0 652 70 270 2 0 0	270	274
1 0 652 70 300 2 0 0	300	300
1 0 652 70 350 2 0 0	350	350
1 0 652 70 400 2 0 0	400	400
1 0 652 70 450 2 0 0	450	460
1 0 652 70 470 2 0 0	470	470
1 0 652 70 500 2 0 0	500	500
1 0 652 70 550 2 0 0	550	550
1 0 652 70 600 2 0 0	600	600

# Futura Push 6557 - Concealed runner

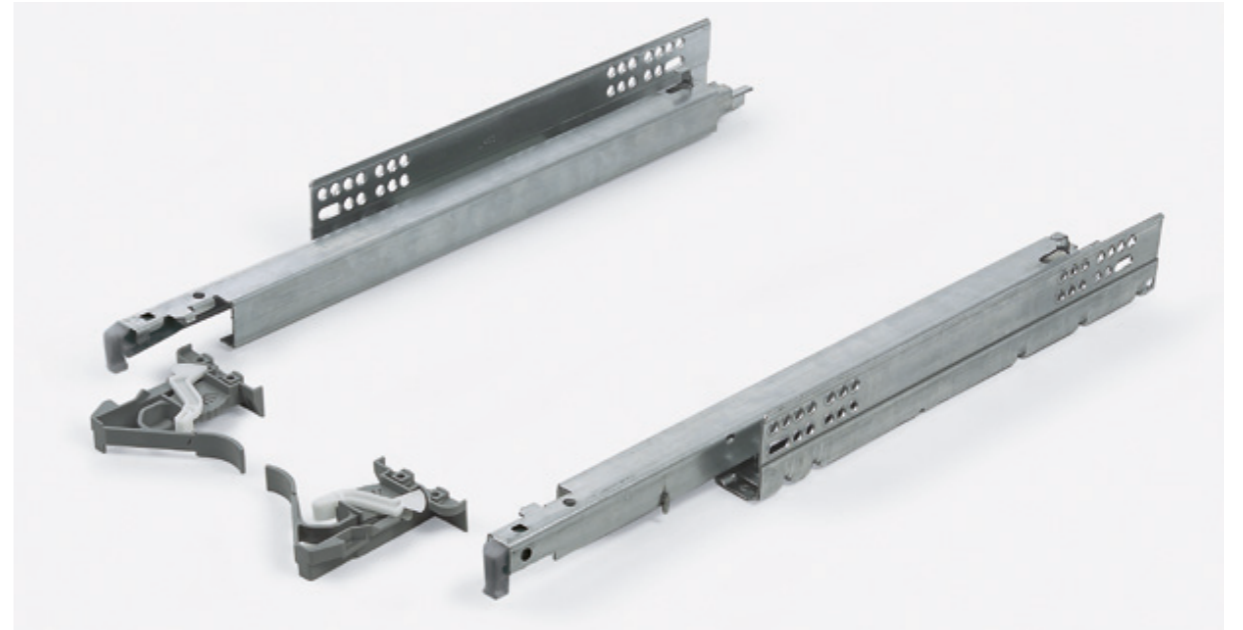


**FULL-EXTENSION RUNNER FIXED TO THE DRAWER BY CLIP.**

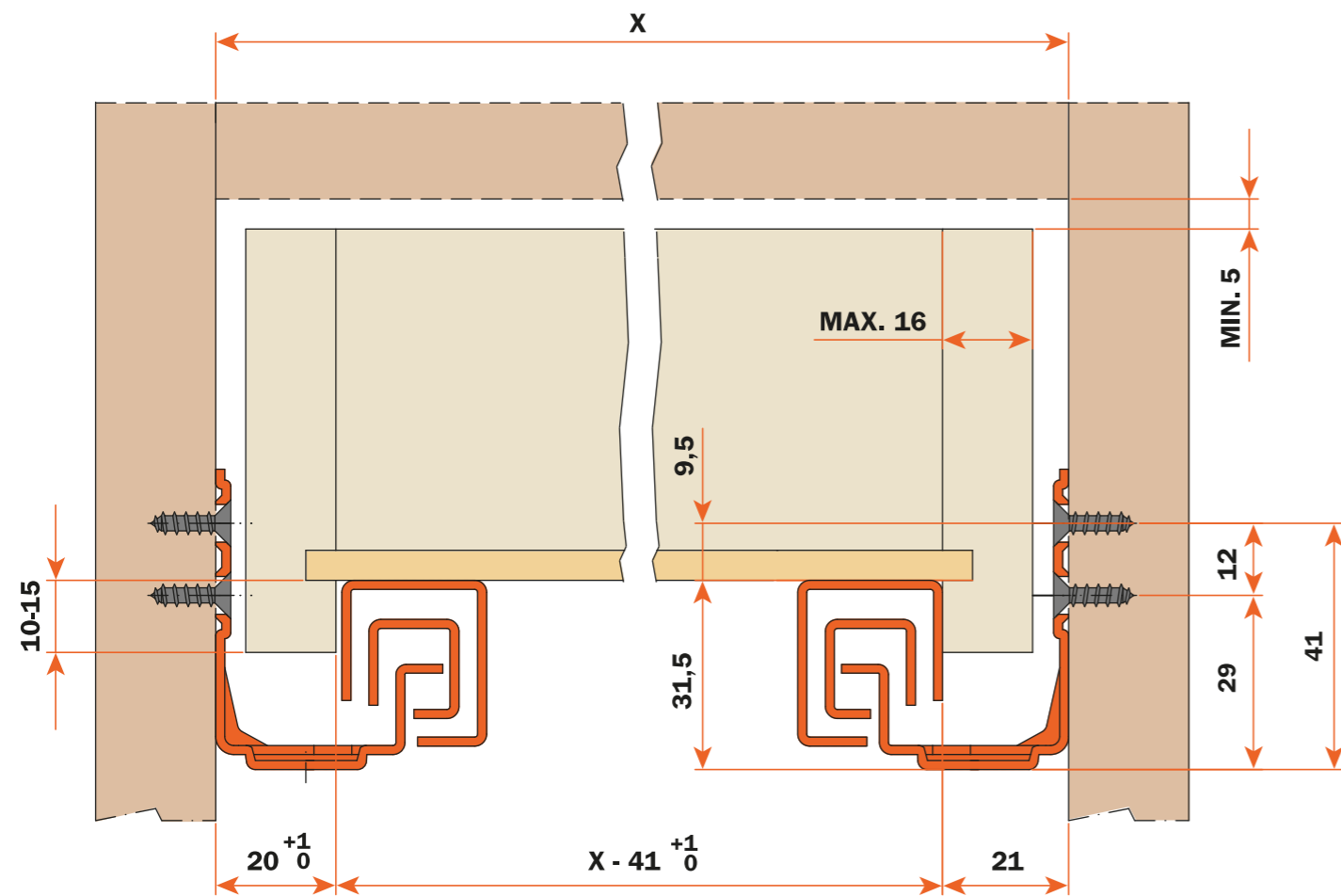
**PUSH: THE NEW OPENING SYSTEM FOR HANDLE-LESS DRAWERS, IS FULLY INTEGRATED IN THE RUNNER. A SLIGHT PRESSURE OF THE DRAWER FRONTAL IS SUFFICIENT FOR THE DRAWER TO SELF-OPEN.**

**Product features**

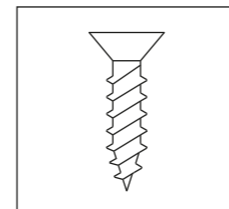
- Dynamic load capacity N 294 (Kg 30).
- With Push opening system.
- Safety system that prevents the drawers from turning over.
- Drawer height adjustment (+2,5 mm).
- The drawer is maintained parallel with the cabinet side during opening.
- The drawer is held in the closed position and requires positive effort to open it.
- Compatible with ART. 6157.
- Finish: bright zinc-plated.



## Dimensions



## Part number



To be screw fixed  
Screw TSP  $\varnothing$  3,5 mm

BASIC PART NUMBER	RUNNER LENGTH (LN)	MIN. DEPTH OF THE CABINET (PM)
1 0 655 70 250 2 0 0	250	262
1 0 655 70 270 2 0 0	270	274
1 0 655 70 300 2 0 0	300	300
1 0 655 70 350 2 0 0	350	350
1 0 655 70 400 2 0 0	400	400
1 0 655 70 450 2 0 0	450	460
1 0 655 70 470 2 0 0	470	470
1 0 655 70 500 2 0 0	500	500
1 0 655 70 550 2 0 0	550	550
1 0 655 70 600 2 0 0	600	600

**CLIP PART NUMBER**

1 0 710 00 010 1 0 0

# Futura Smove 6125 - Concealed runner

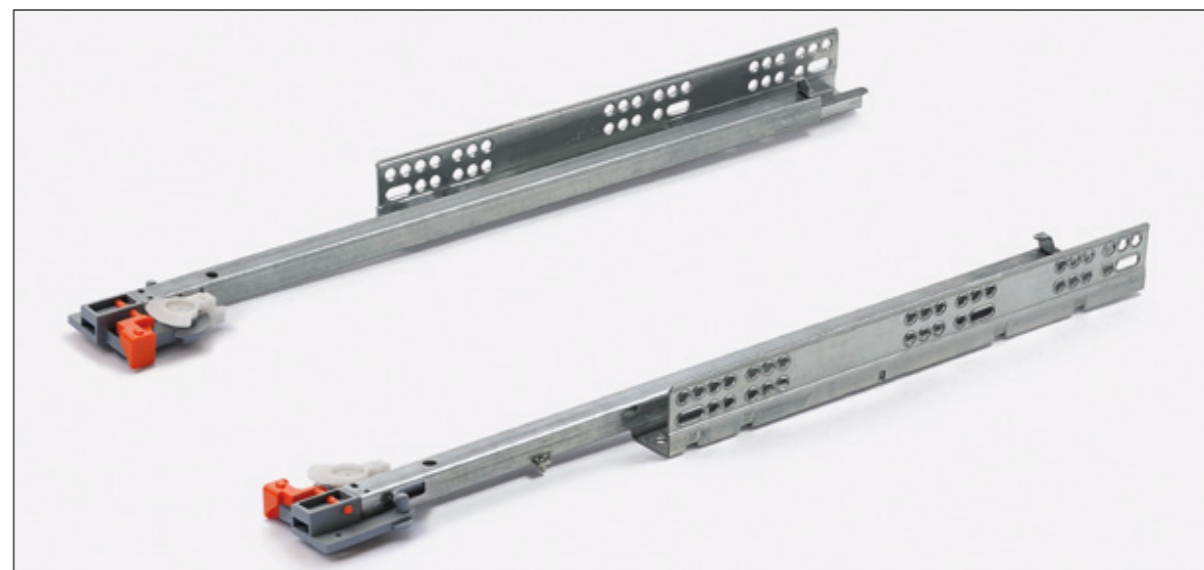


PART-EXTENSION RUNNER FIXED TO THE DRAWER BY LOCATING PIN.

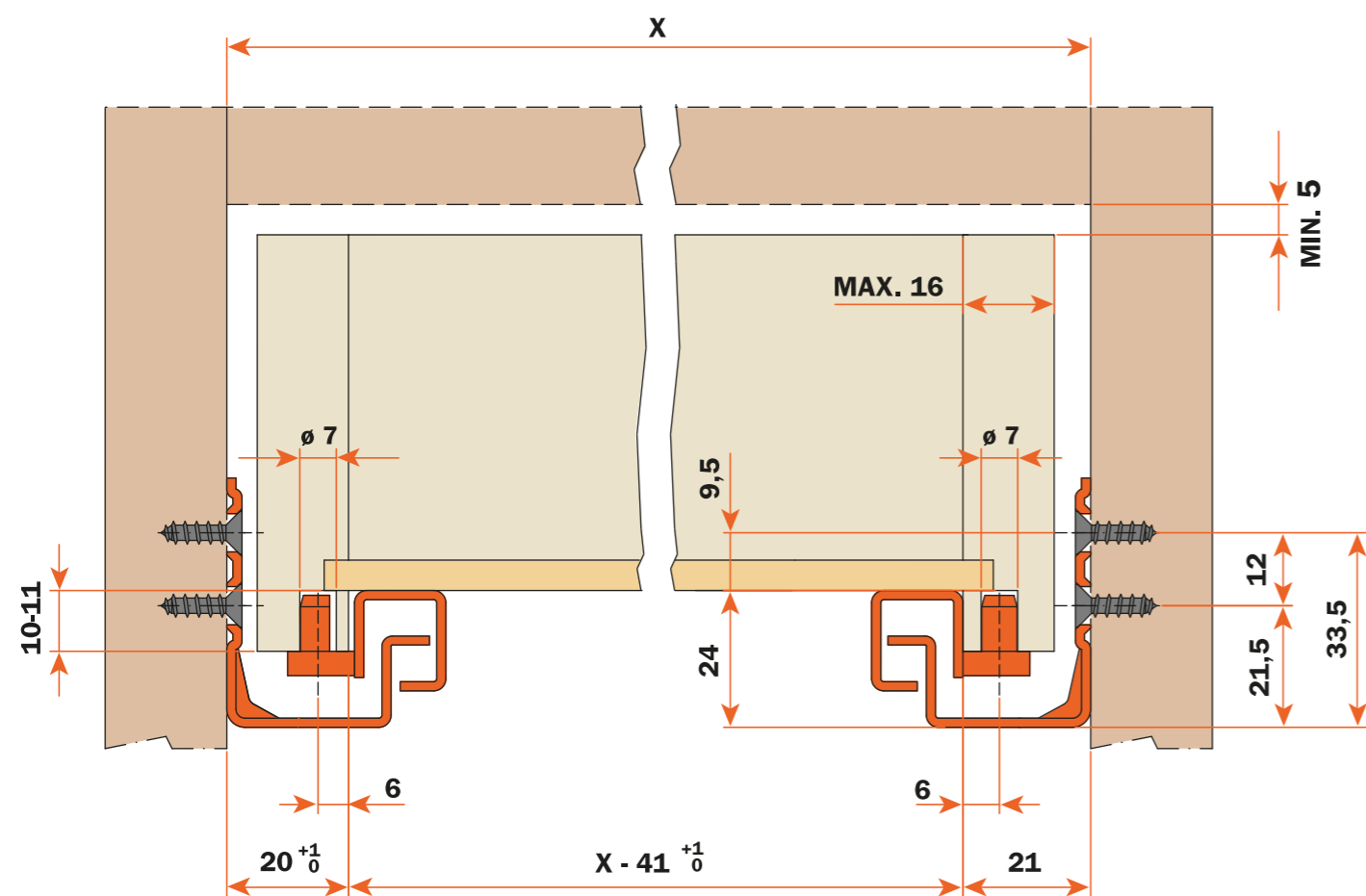
**SMOVE: FULLY INTEGRATED IN THE RUNNER, DECELERATES THE CLOSING ACTION OF THE DRAWER.**

**Product features**

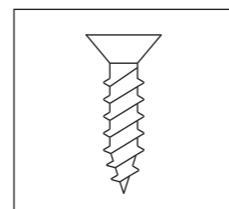
- Dynamic load capacity N 294 (Kg 30).
- With Smove decelerated closing.
- Safety system that prevents the drawers from turning over.
- Drawer height adjustment (+3 mm).
- The drawer is maintained parallel with the cabinet side during opening.
- Drawer fixing without screws.
- Compatible with ART. 6525.
- Finish: bright zinc-plated.



## Dimensions



## Part number



To be screw fixed  
Screw TSP ø 3,5 mm

BASIC PART NUMBER	RUNNER LENGTH (LN)	=	MIN. DEPTH OF THE CABINET (PM)
1 0 612 50 270 2 0 0	270		270
1 0 612 50 300 2 0 0	300		300
1 0 612 50 350 2 0 0	350		350
1 0 612 50 400 2 0 0	400		400
1 0 612 50 450 2 0 0	450		450
1 0 612 50 470 2 0 0	470		470
1 0 612 50 500 2 0 0	500		500
1 0 612 50 550 2 0 0	550		550
1 0 612 50 600 2 0 0	600		600

# Futura Smove 6155 - Concealed runner



**PART-EXTENSION RUNNER FIXED TO THE DRAWER BY CLIP.**

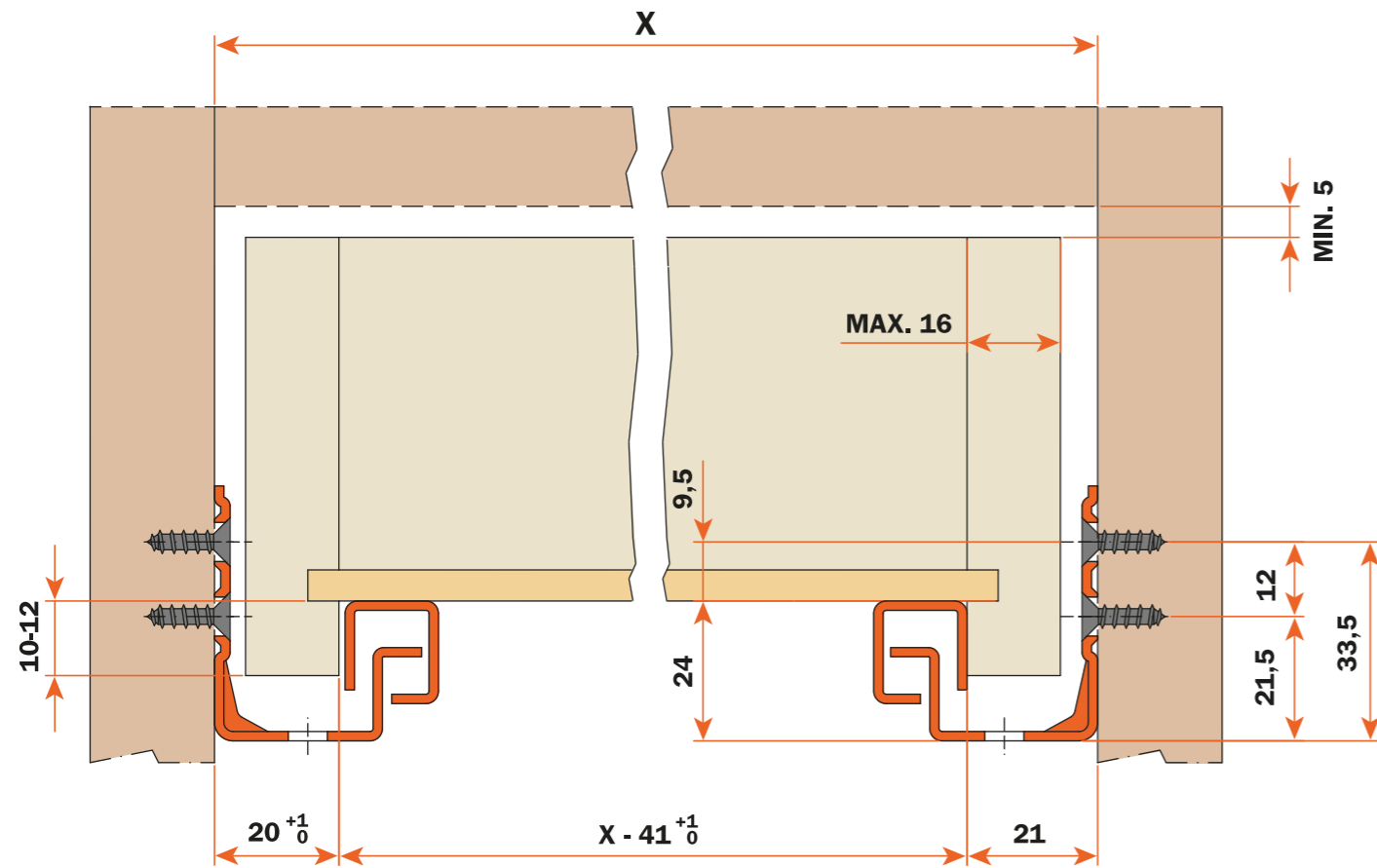
**SMOVE: FULLY INTEGRATED IN THE RUNNER, DECELERATES THE CLOSING ACTION OF THE DRAWER.**

**Product features**

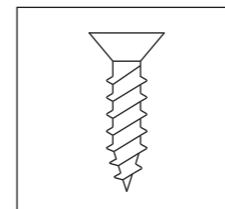
- Dynamic load capacity N 294 (Kg 30).
- With Smove decelerated closing.
- Safety system that prevents the drawers from turning over.
- Drawer height adjustment (+2,5 mm).
- The drawer is maintained parallel with the cabinet side during opening.
- Compatible with ART. 6555.
- Finish: bright zinc-plated.



## Dimensions



## Part number



To be screw fixed  
Screw TSP  $\varnothing$  3,5 mm

BASIC PART NUMBER	RUNNER LENGTH (LN)	=	MIN. DEPTH OF THE CABINET (PM)
1 0 615 50 270 2 0 0	270		270
1 0 615 50 300 2 0 0	300		300
1 0 615 50 350 2 0 0	350		350
1 0 615 50 400 2 0 0	400		400
1 0 615 50 450 2 0 0	450		450
1 0 615 50 470 2 0 0	470		470
1 0 615 50 500 2 0 0	500		500
1 0 615 50 550 2 0 0	550		550
1 0 615 50 600 2 0 0	600		600

## CLIP PART NUMBER

1 0 710 00 010 1 0 0



# Futura Smove 6525 - Concealed runner

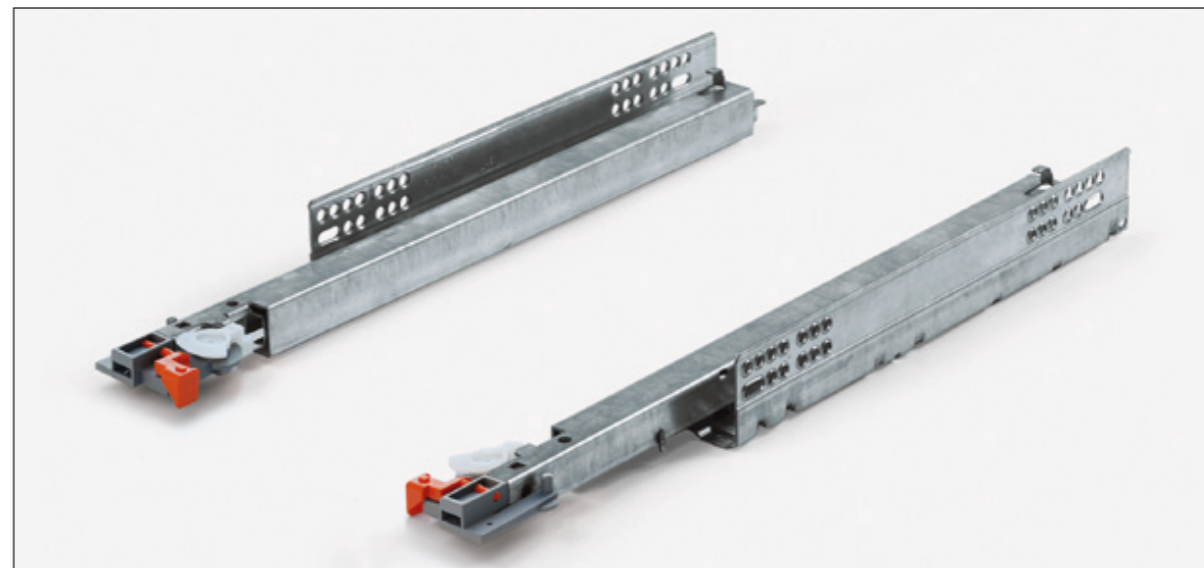


FULL-EXTENSION RUNNER FIXED TO THE DRAWER BY LOCATING PIN.

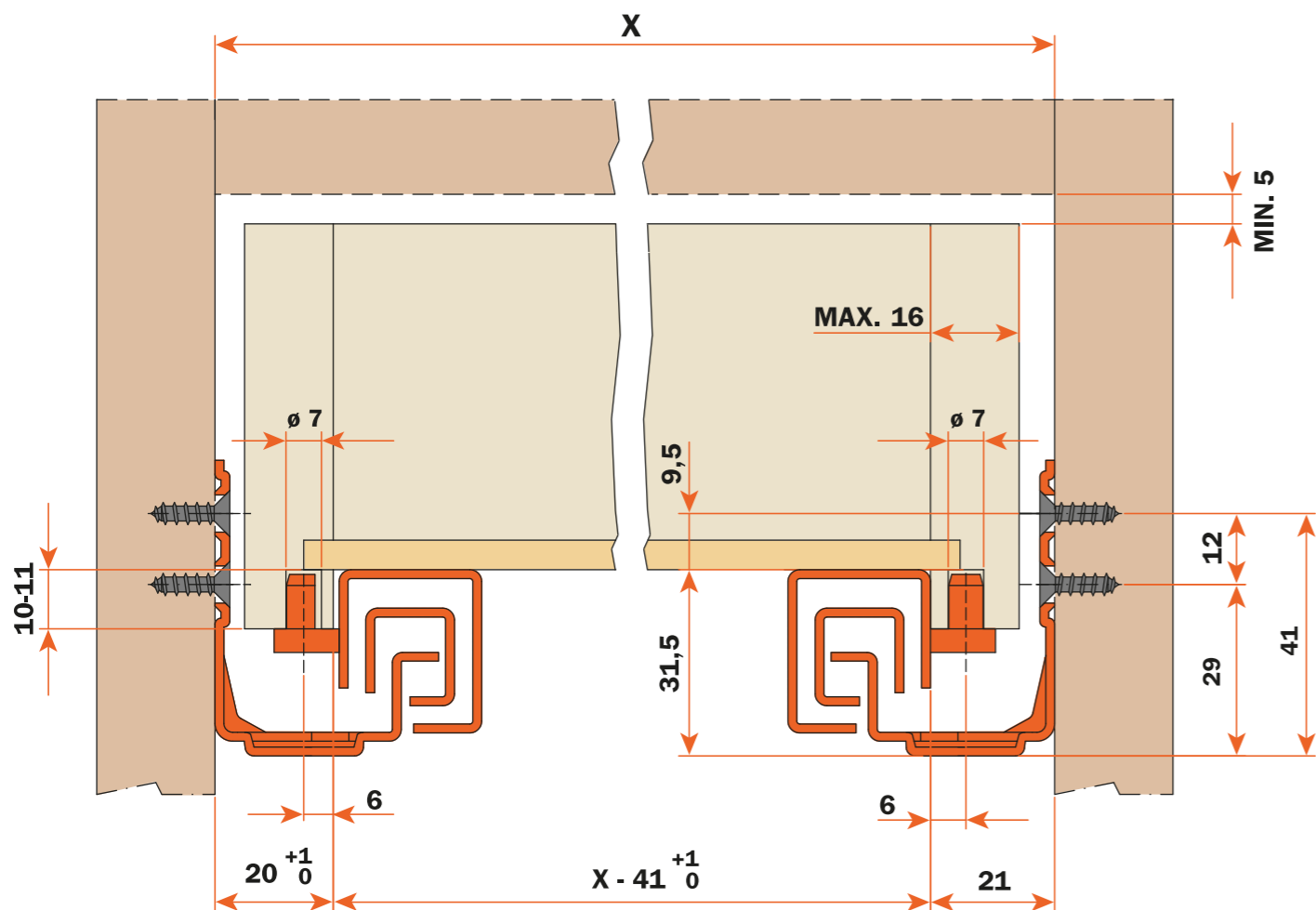
**SMOVE: FULLY INTEGRATED IN THE RUNNER, DECELERATES THE CLOSING ACTION OF THE DRAWER.**

**Product features**

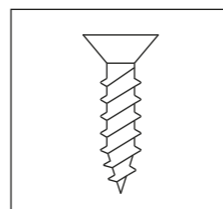
- Dynamic load capacity N 294 (Kg 30).
- With Smove decelerated closing.
- Safety system that prevents the drawers from turning over.
- Drawer height adjustment (+3 mm).
- The drawer is maintained parallel with the cabinet side during opening.
- Drawer fixing without screws.
- Compatible with ART. 6125.
- Finish: bright zinc-plated.



**Dimensions**



**Part number**



To be screw fixed  
Screw TSP ø 3,5 mm

BASIC PART NUMBER	RUNNER LENGTH (LN)	MIN. DEPTH OF THE CABINET (PM)
1 0 652 50 270 2 0 0	270	274
1 0 652 50 300 2 0 0	300	300
1 0 652 50 350 2 0 0	350	350
1 0 652 50 400 2 0 0	400	400
1 0 652 50 450 2 0 0	450	460
1 0 652 50 470 2 0 0	470	470
1 0 652 50 500 2 0 0	500	500
1 0 652 50 550 2 0 0	550	550
1 0 652 50 600 2 0 0	600	600

# Futura Smove 6555 - Concealed runner



FULL-EXTENSION RUNNER FIXED TO THE DRAWER BY CLIP.

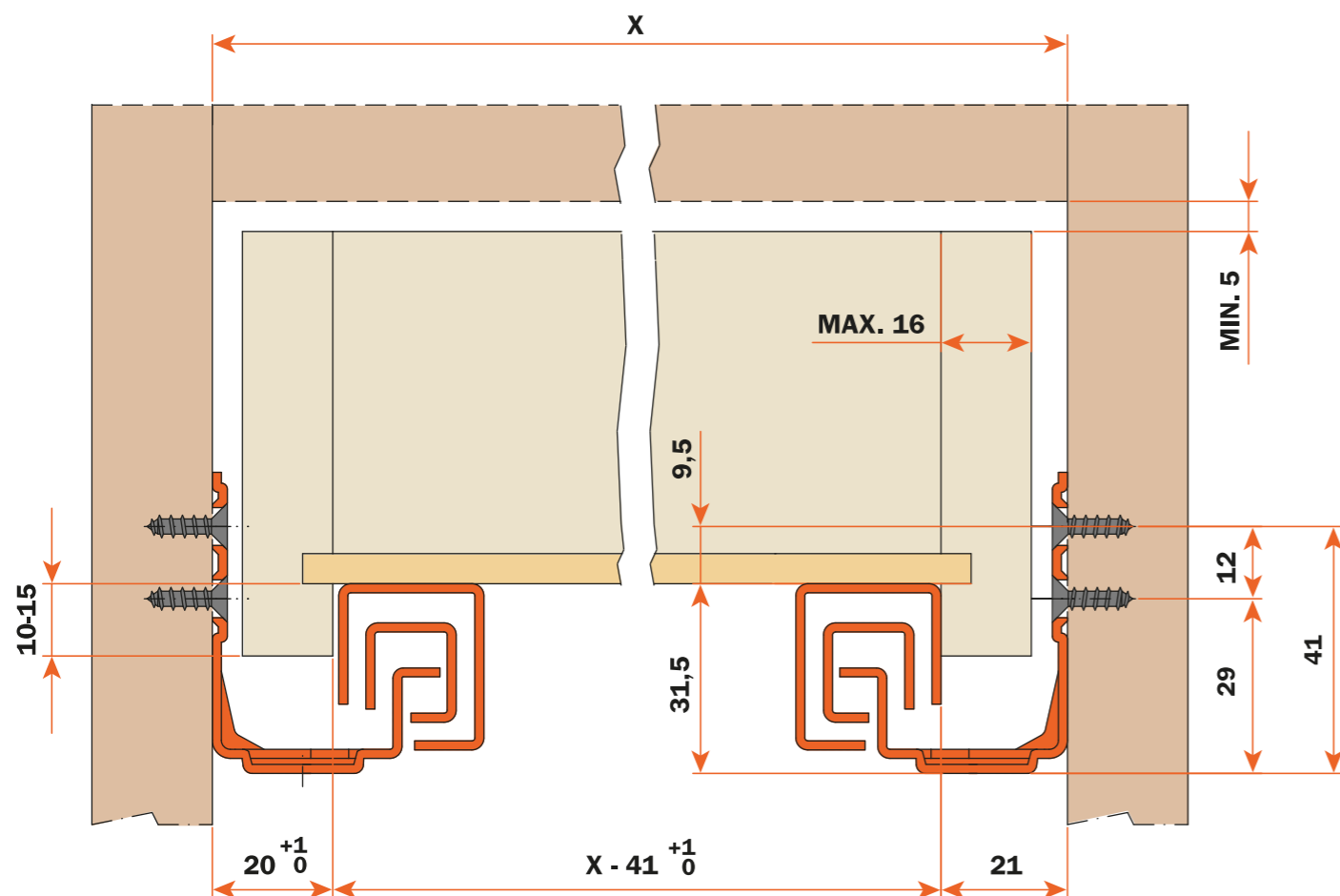
**SMOVE: FULLY INTEGRATED IN THE RUNNER, DECELERATES THE CLOSING ACTION OF THE DRAWER.**

**Product features**

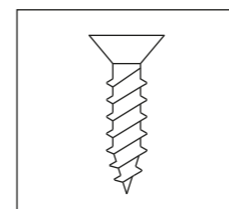
- Dynamic load capacity N 294 (Kg 30).
- With Smove decelerated closing.
- Safety system that prevents the drawers from turning over.
- Drawer height adjustment (+2,5 mm).
- The drawer is maintained parallel with the cabinet side during opening.
- Compatible with ART. 6155.
- Finish: bright zinc-plated.



## Dimensions



## Part number



To be screw fixed  
Screw TSP  $\varnothing$  3,5 mm

BASIC PART NUMBER	RUNNER LENGTH (LN)	MIN. DEPTH OF THE CABINET (PM)
1 0 655 50 270 2 0 0	270	274
1 0 655 50 300 2 0 0	300	300
1 0 655 50 350 2 0 0	350	350
1 0 655 50 400 2 0 0	400	400
1 0 655 50 450 2 0 0	450	460
1 0 655 50 470 2 0 0	470	470
1 0 655 50 500 2 0 0	500	500
1 0 655 50 550 2 0 0	550	550
1 0 655 50 600 2 0 0	600	600

## CLIP PART NUMBER

1 0 710 00 010 1 0 0



**CONNECTORS TO FIX DRAWER FRONTAL TO FUTURA PART-EXTENSION RUNNERS.**  
**ART.: 615 - 6157 - 6155**

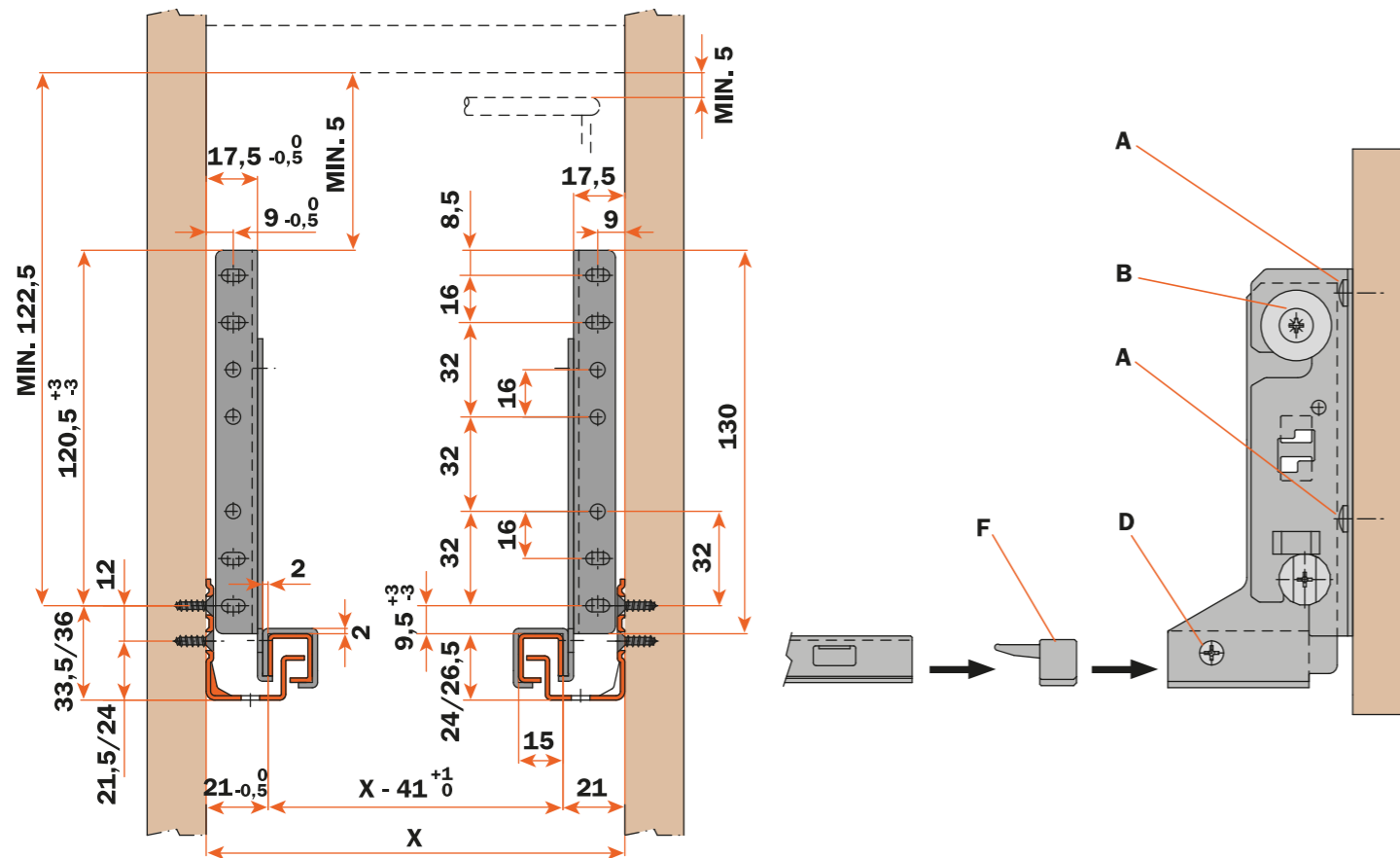
**Product features**

- Vertical adjustment, lateral adjustment and tilt adjustment of the frontal.
- Frontal fixed using screws TCP max.  $\varnothing$  3,9 mm.
- Available heights: 130 mm and 210 mm.
- Finish: epoxy coat metallized grey.

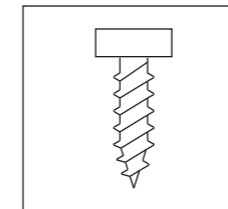


**Connectors dimensions and assembly instructions**

- 1) Insert sliding blocks F into the connectors.
- 2) Insert the connectors inside the front of the runners and retighten the screw D.
- 3) Fix the brackets to the rear of the drawer frontal using screws TCP max.  $\varnothing$  3,9 mm A.
- 4) Locate the drawer frontal onto the connectors and retighten screw B.



**Part number**

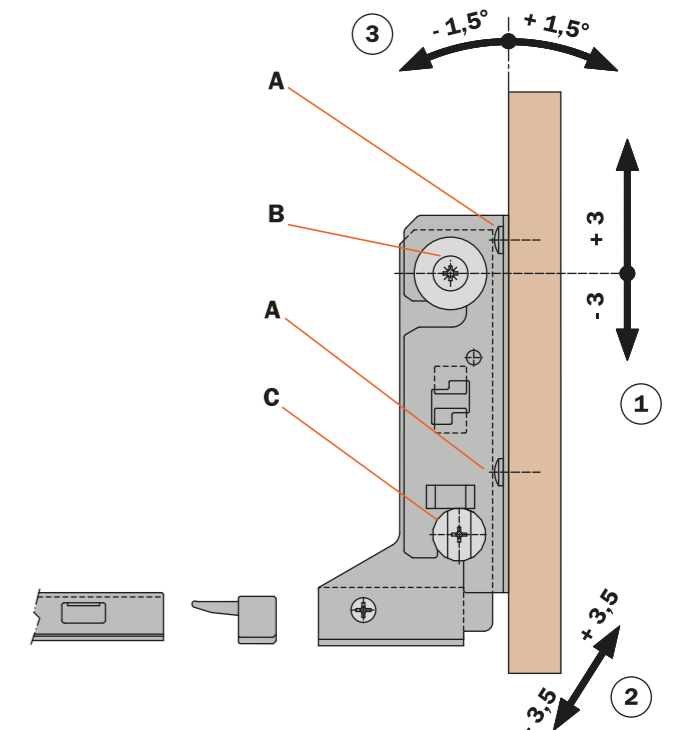


To be screw fixed  
 Screw TCP max.  $\varnothing$  3,9 mm

PART NUMBER  
 10 60 000 690 600

**Drawer frontal adjustment**

- 1) Vertical adjustment ( $\pm 3$  mm)**  
 It is possible to adjust the drawer frontal vertically by loosening the fixing screw B and using the cam C. Finally the fixing screw B must be retightened.
- 2) Lateral adjustment ( $\pm 3,5$  mm)**  
 By loosening the fixing screws A it is possible to adjust manually the drawer frontal. Finally the fixing screws A must be retightened.
- 3) Tilt adjustment ( $\pm 1,5^\circ$ )**  
 By loosening the fixing screw B it is possible to adjust manually the drawer frontal. Finally the fixing screw B must be retightened.





**CONNECTORS TO FIX DRAWER FRONTAL TO FUTURA FULL-EXTENSION RUNNERS.**  
**ART.: 655 - 6557 - 6555**

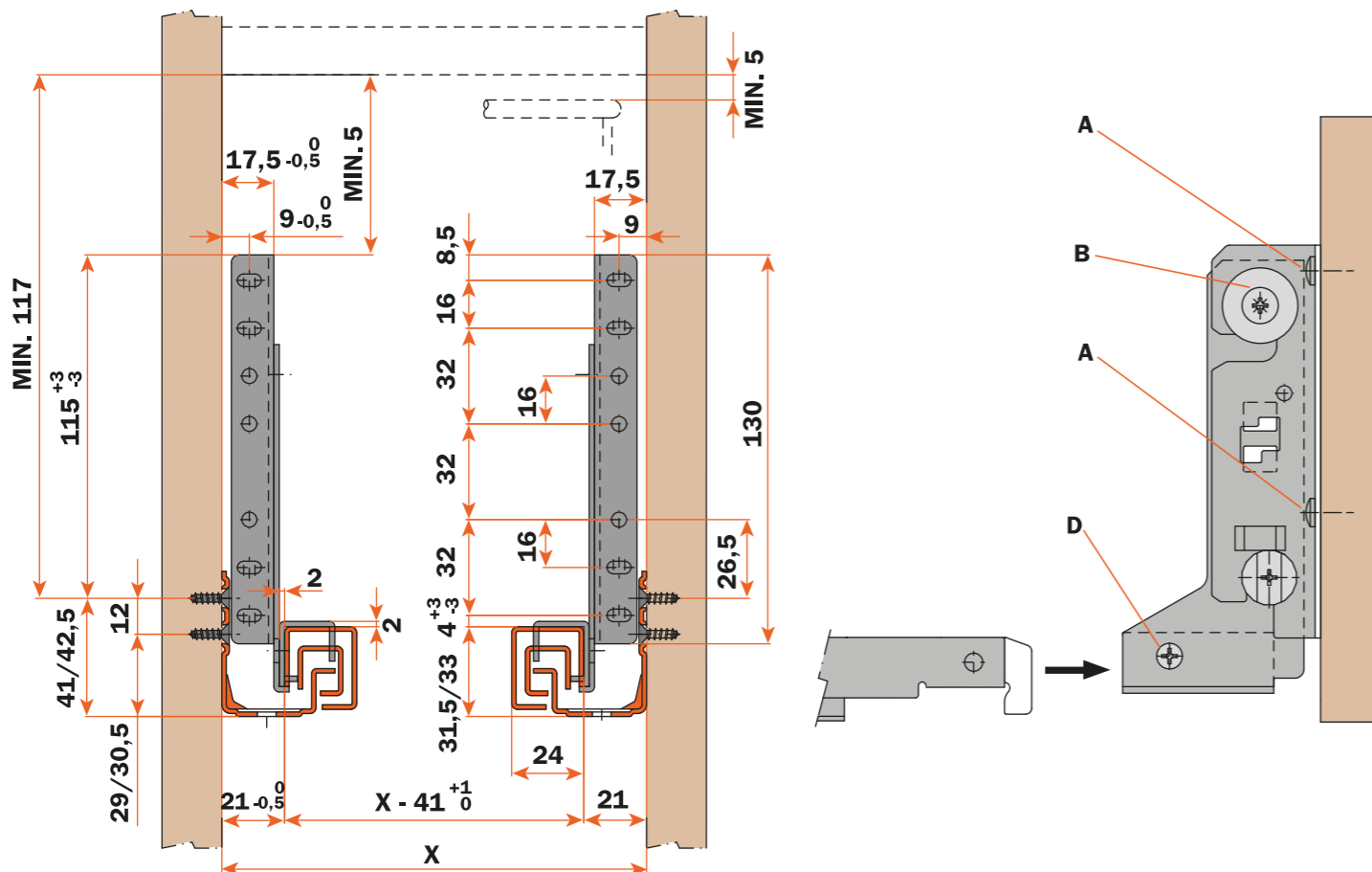
**Product features**

- Vertical adjustment, lateral adjustment and tilt adjustment of the frontal.
- Frontal fixed using screws TCP max.  $\varnothing$  3,9 mm.
- Available heights: 130 mm and 210 mm.
- Finish: epoxy coat metallized grey.

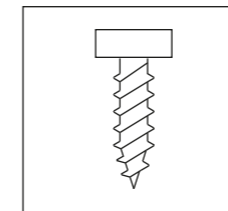


**Connectors dimensions and assembly instructions**

- 1) Insert the connectors inside the front of the runners and retighten the screw D.
- 2) Fix the brackets to the rear of the drawer frontal using screws TCP max.  $\varnothing$  3,9 mm A.
- 3) Locate the drawer frontal onto the connectors and retighten screw B.



**Part number**

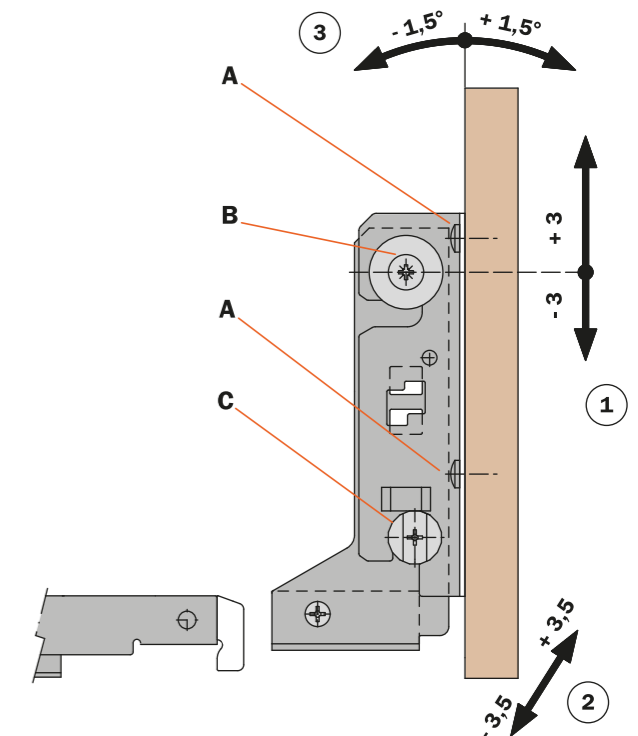


To be screw fixed  
 Screw TCP max.  $\varnothing$  3,9 mm

PART NUMBER
10 60 000 691 600

**Drawer frontal adjustment**

- 1) Vertical adjustment ( $\pm 3$  mm)**  
 It is possible to adjust the drawer frontal vertically by loosening the fixing screw B and using the cam C. Finally the fixing screw B must be retightened.
- 2) Lateral adjustment ( $\pm 3,5$  mm)**  
 By loosening the fixing screws A it is possible to adjust manually the drawer frontal. Finally the fixing screws A must be retightened.
- 3) Tilt adjustment ( $\pm 1,5^\circ$ )**  
 By loosening the fixing screw B it is possible to adjust manually the drawer frontal. Finally the fixing screw B must be retightened.



## **ADAR S.p.A.**

VIA ARISTIDE MERLONI, 11  
61030 CALCINELLI DI SALTARA (PU) ITALIA  
TEL. 0721 899800  
FAX 0721 897980  
adar@adar.it  
www.adar.it

### **ADAR IN DEUTSCHLAND**

DEUTSCHE SALICE GMBH  
RUDOLF-DIESEL-STR. 10  
POSTFACH 1154  
74382 NECKARWESTHEIM  
TEL. 07133 9807-0  
FAX 07133 9807-16  
info.salice@deutschesalice.de  
www.deutschesalice.de

### **ADAR IN DEUTSCHLAND**

DEUTSCHE SALICE GMBH  
VERKAUFSBÜRO NORD  
ENGERSTRASSE 147  
32051 HERFORD  
TEL. 05221 31056 - 31138  
FAX 05221 31198  
info.saliceherford@deutschesalice.de  
www.deutschesalice.de

### **ADAR EN FRANCE**

SALICE FRANCE S.A.R.L.  
ROUTE DE GOA ZAC LES 3 MOULINS  
06600 ANTIBES  
TEL. 0493 330069  
FAX 0493 330141  
info.salice@salicefrance.com  
www.salicefrance.com

### **ADAR IN THE U.K.**

SALICE UK LTD.  
KINGFISHER WAY  
HINCHINGBROOKE BUSINESS PARK  
HUNTINGDON CAMBS PE 29 6FN  
TEL. 01480 413831  
FAX 01480 451489  
info.salice@saliceuk.co.uk  
www.saliceuk.co.uk

### **ADAR IN U.S.A.**

SALICE AMERICA INC.  
2123 CROWN CENTRE DRIVE  
CHARLOTTE NC. 28227  
TEL. 704 8417810  
FAX 704 8417808  
info.salice@saliceamerica.com  
www.saliceamerica.com

### **ADAR IN CANADA**

SALICE CANADA INC.  
4025 SLADEVIEW CRESCENT  
UNIT # 7-9  
MISSISSAUGA, ONTARIO L5L 5Y1  
TEL. 905 8208787  
FAX 905 8207226  
info.salice@salicecanada.com  
www.salicecanada.com