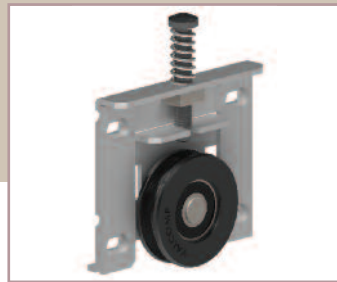
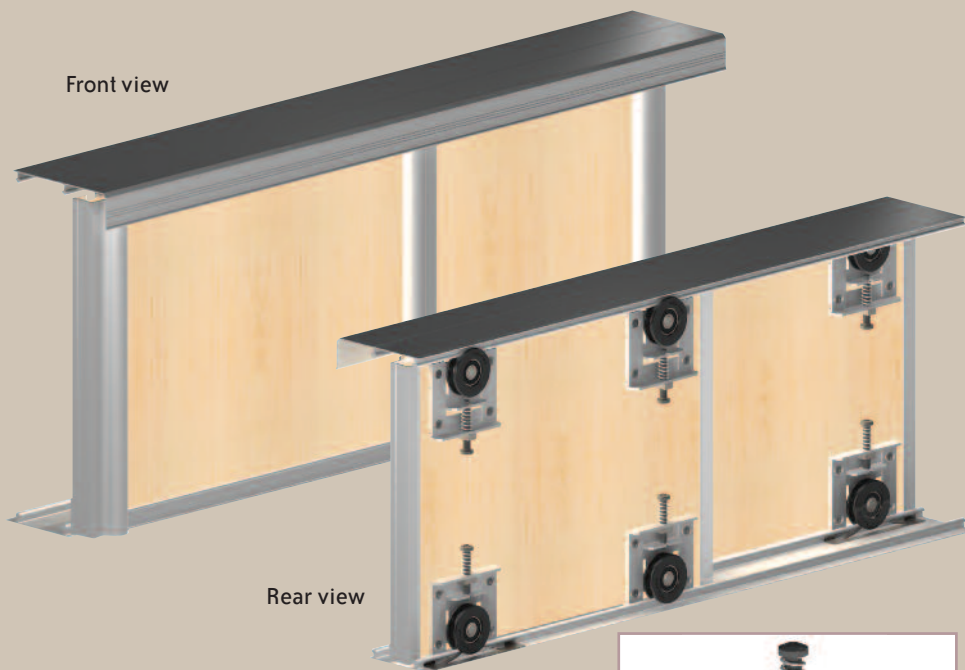


Ares 3

Premium system for sliding wardrobe doors



Wheels on ball bearings

Ares 3

USE: Internal sliding wardrobe door kit for doors of wood, MDF or laminate



Ares 3 is the most complete twin track sliding door system available for wardrobes. It can be used for two or three wardrobe doors and not only includes high quality door running gear, but also includes track with an integrated masking plate plus a full set of decorative aluminium door edging profiles in a choice of colours for the perfect finish.

- Anodised aluminium track with integrated masking plate for a durable, highly decorative finish
- Kit includes a complete set of decorative aluminium profiles for door edging in a choice of silver or light brown finishes
- Top and bottom mounted rollers on ball bearings, fitted to sprung chassis for extra smooth and quiet running
- The sprung chassis makes fitting extremely easy and allows doors to be quickly removed and refitted



Ares 3

For 2 or 3 sliding doors

Range:

- **SD/AR318S** 1800mm track for 2 doors (Silver finish) for 2 doors
- **SD/AR318B** 1800mm track for 2 doors (Light Brown finish) for 2 doors
- **SD/AR327S** 2700mm track for 3 doors (Silver finish)
- **SD/AR327B** 2700mm track for 3 doors (Light Brown finish)

Max. Door weight 70kg
Door thickness 18mm
Max. Door height 2700mm

Kit contains

