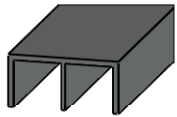
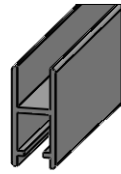


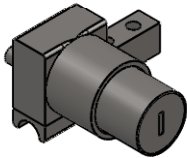
# KABINETTE INSTALLATION INSTRUCTIONS



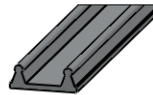
Top alu E-Track



Glass alu H-Profile



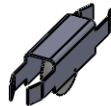
Push cylinder lock



Bottom alu track



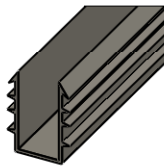
End cap



Trolley with nylon wheels



Silencer



U-Spline

## SIZE CALCULATION FOR EACH GLASS PANEL

Height = Full opening height (H) - 25mm

Width = Half of full opening + 25mm

(This should allow an **overlap of 50mm**)

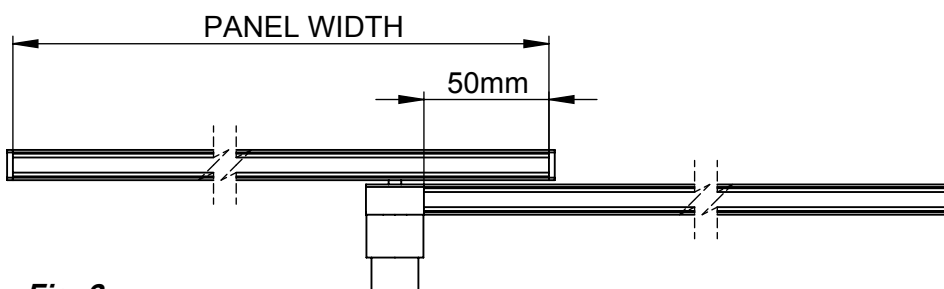


Fig. 2

## FEATURES:

- Double sliding glass doors on aluminium rails.
- Quiet rolling action.

## PANEL SPECIFICATION:

- Thickness 6mm
- Weight 12kg Maximum per panel
- Height 1000mm Maximum per panel
- Width 919mm Maximum per panel
- Glass panel must not exceed 0.8m<sup>2</sup>
- For panels over 12kg, additional Trolley wheels should be used (available to order).

## COMPONENTS

Top alu E-Track (2mtrs)	1
Glass alu H-Profile (2mtrs)	2
Push cylinder lock	1
Bottom alu track (2mtrs)	1
End cap	3
Trolley with nylon wheels	8
Silencer, clear plastic (3cm)	4
U-Spline plastic (2mtrs)	1

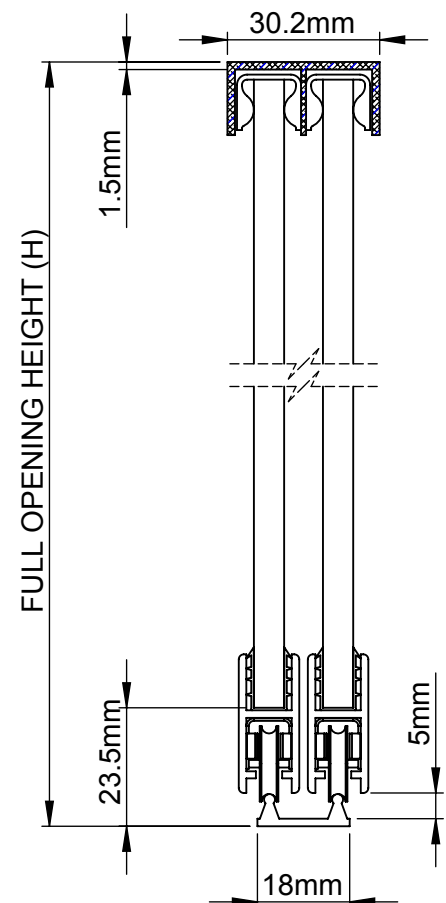
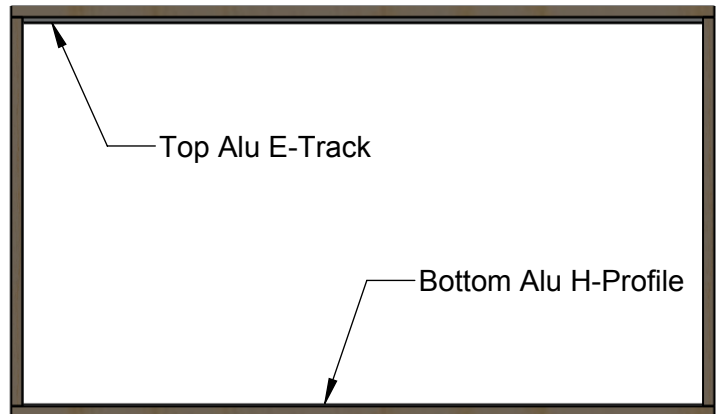


Fig. 1

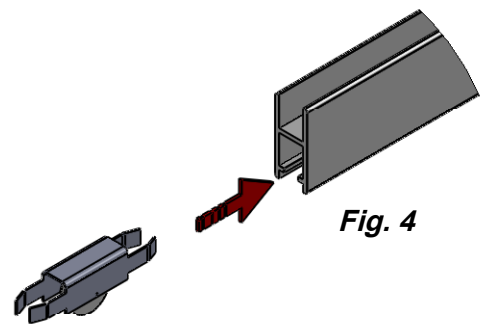
Make sure that all parts have been received.

**Step 1.**  
Cut the Top E-Track and the Bottom Track to the size of the width opening. Fit Top E-Track and Bottom track to the aperture ensuring they are secure. See fig. 3.



**Fig. 3**

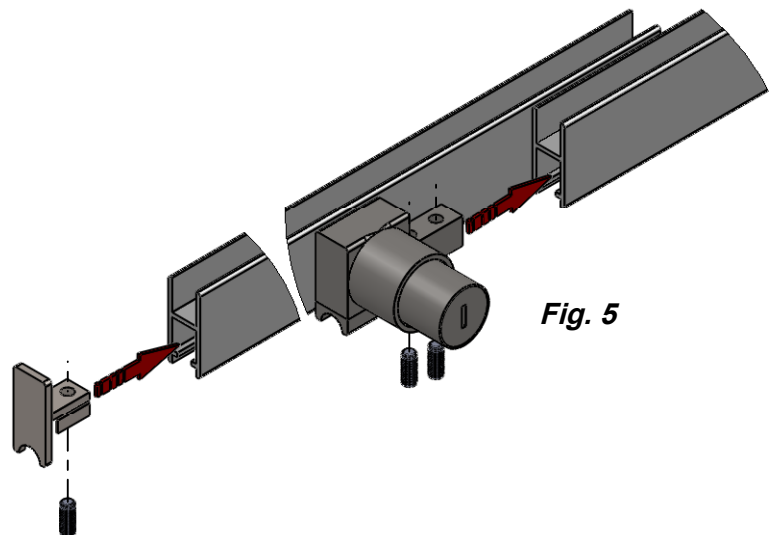
**Step 2.**  
Cut the Glass H-Profile to allow for an overlap of the doors. To achieve a 50mm overlap, divide the width of the aperture in half and add 25mm. As shown in fig. 2.



**Fig. 4**

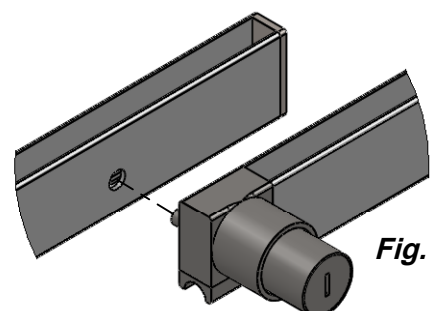
**Step 3.**  
Slide the Trolleys into the Glass H-Profile from the ends, see fig. 4. Each trolley has a load capacity of 3kg, therefore 4 trolleys are required for a glass panel of 12kg maximum load.

**Step 4.**  
Fit the Lock and End Caps to the Glass H-Profiles locking them in place using the grab screws. See fig. 5.



**Fig. 5**

**Step 5.**  
Place the Glass H-Profiles on the Bottom Track in the closed position and mark where the pin of the lock locates on the opposing Glass H-Profile, as shown in fig. 6. Drill a 6mm locating hole ensuring the Trolley does not interfere with the drilling. Re-assemble the H-Profile on the Bottom Track and check the fit of the lock against the hole.



**Fig. 6**

Step 6.  
The U-Spline is used to ensure a tight fit for the glass in the H-Profile. Measure and cut the required length to fit the H-Profiles. Place the U-Spline on the bottom edge of the glass panel and press it into the H-Profile, as shown in fig. 7. Trim any excess on the sides.

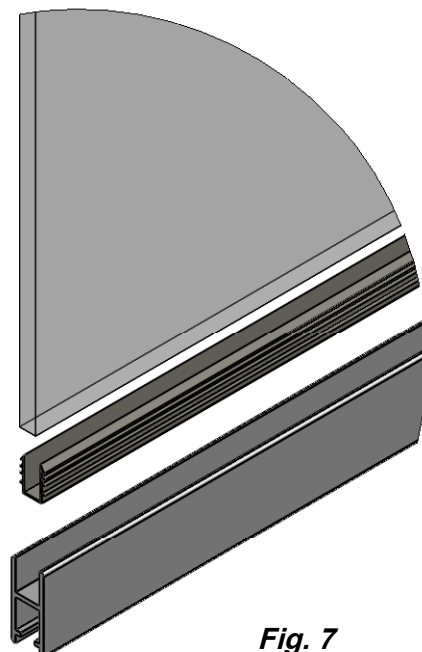


Fig. 7

Step 7.  
Once the doors are assembled, fit them into position by lifting the assembly into the Top E-Track and lowering it on to the Bottom track. See fig. 8

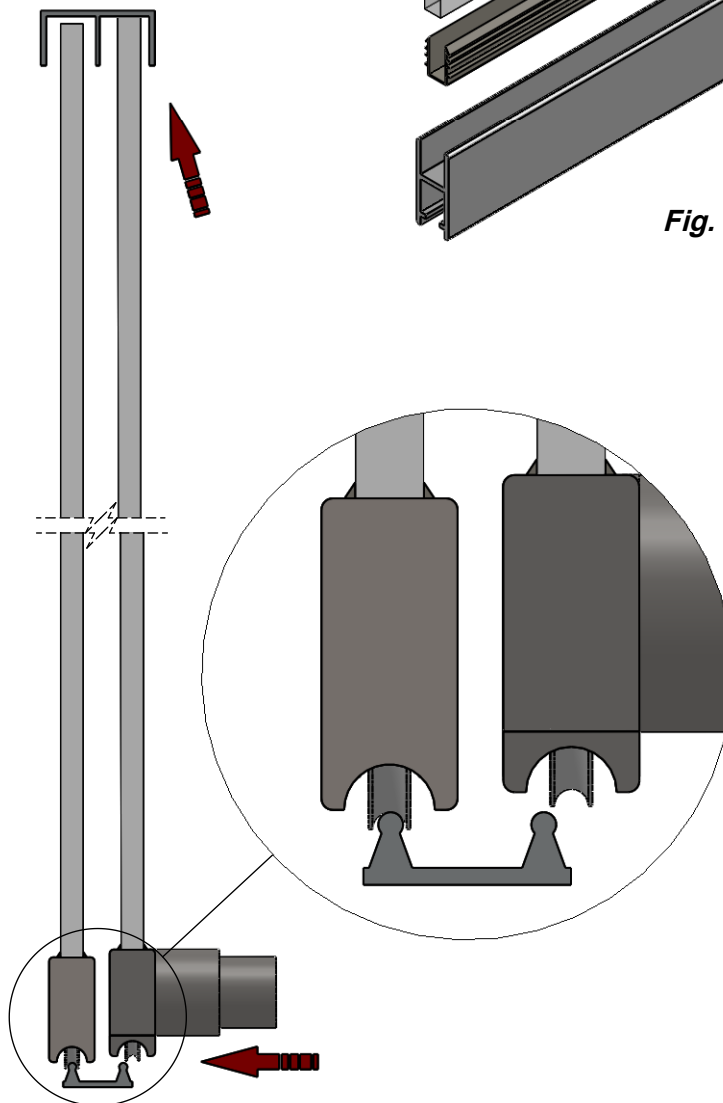


Fig. 8

Step 8.  
Fit the Silencers to the top corners of the doors by simply sliding them into position, see fig. 9 & 10. Once the Silencers are fitted it should be impossible to lift the doors out of the Top E-Track without removing the silencers.

If you experience any problems please contact Hillaldam Coburn for advice.

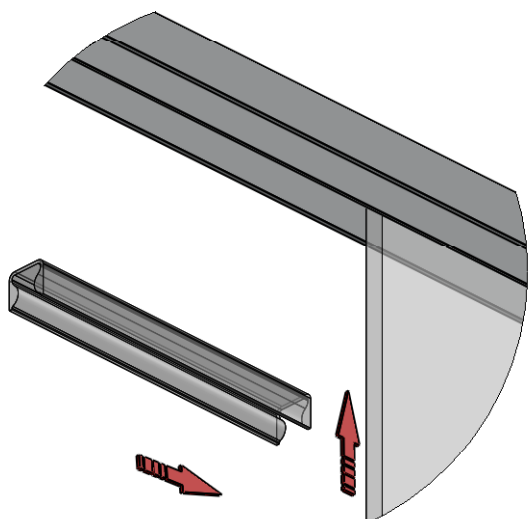


Fig. 9

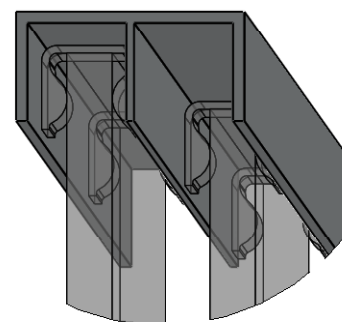


Fig. 10

HILLALDAM COBURN LTD, UNIT16, MERTON INDUSTRIAL PARK, LEE ROAD, LONDON SW19 3HX. ENGLAND  
TEL: 020 8545 6680  
FAX: 020 8545 6720  
E-MAIL: [sales@hillaldam.co.uk](mailto:sales@hillaldam.co.uk)  
WEB: [www.coburn.co.uk](http://www.coburn.co.uk)