

# House One Interior Sliding Door Gear

## FOR QUIET AND RELIABLE OPERATION

### APPLICATION

Internal sliding door gear for domestic and similar use.

### RANGE

- Maximum door weight 45kg (100lb).
- Maximum door width 1050mm (3ft 6ins).
- Maximum door height 2.1m (7ft).

### DOOR CONSTRUCTION

Door thickness 30 to 44mm. Drawing shows how doors can achieve an evenly balanced elevation from both sides.

### FIXING

Top track side fixed. For soffit fixing use soffit fixing brackets. Door guide fixed to the reveal, leaving a clear threshold. Hangers have vertical and lateral adjustment. For cavities, use Straightaway 100 (see page 20).

### HANGERS

Single nylon wheel on ground steel axle. Steel door plates.

### TRACK

Aluminium, drilled and c/sk for side fixing.

### DOOR GUIDE

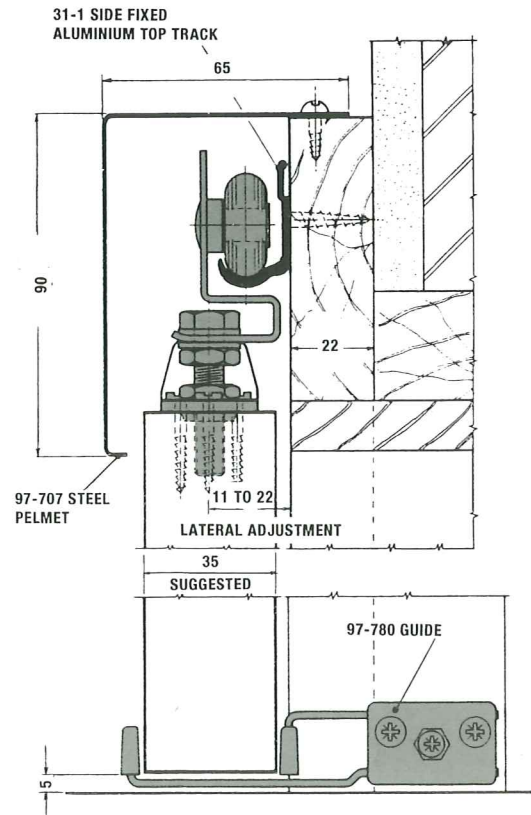
97-780 Nylon, two screw fixings, adjustable.

## HOUSE ONE INTERIOR SLIDING DOOR GEAR

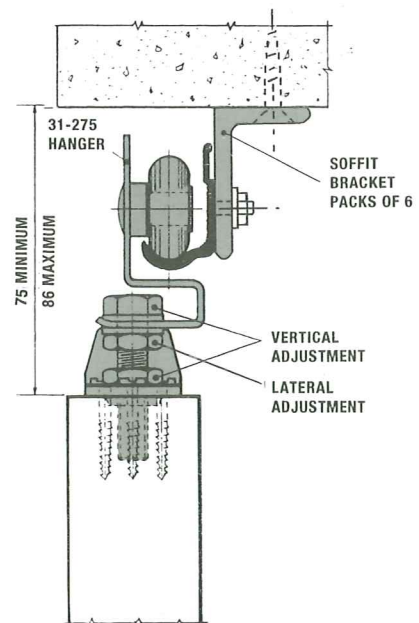
**SET 1** – Side fixing for doors 600 to 750mm wide.

**SET 2** – Side fixing for doors 750 to 900mm wide.

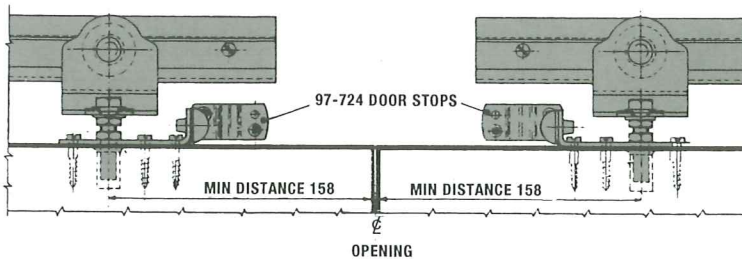
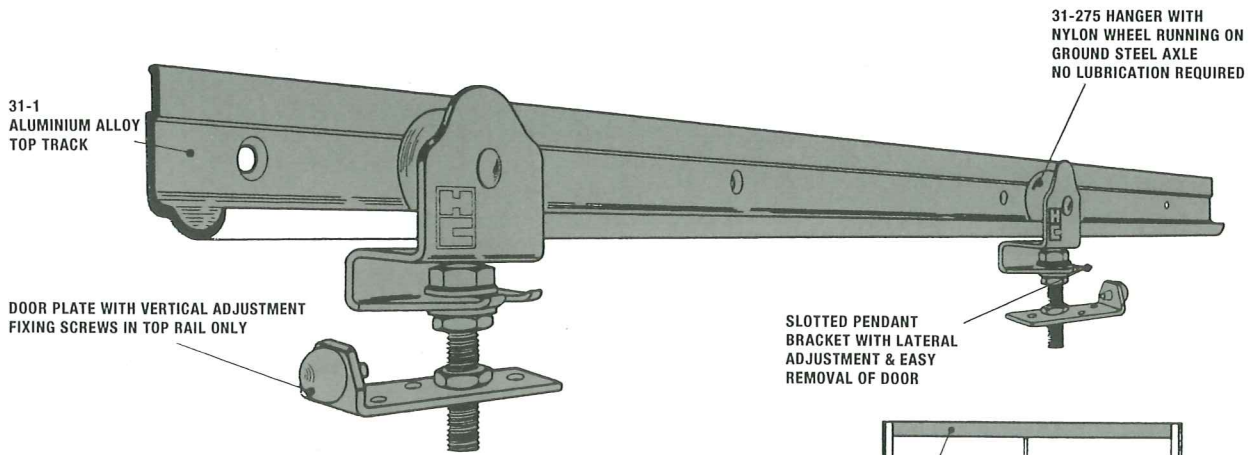
**SET 3** – Side fixing for doors 900 to 1050mm wide. Contents per set, 1 length of aluminium top track, 1 pair adjustable hangers, door guide, door stops, installation details and all screws.



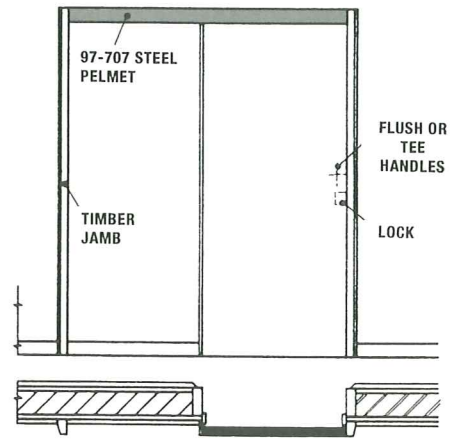
SECTION THROUGH OPENING



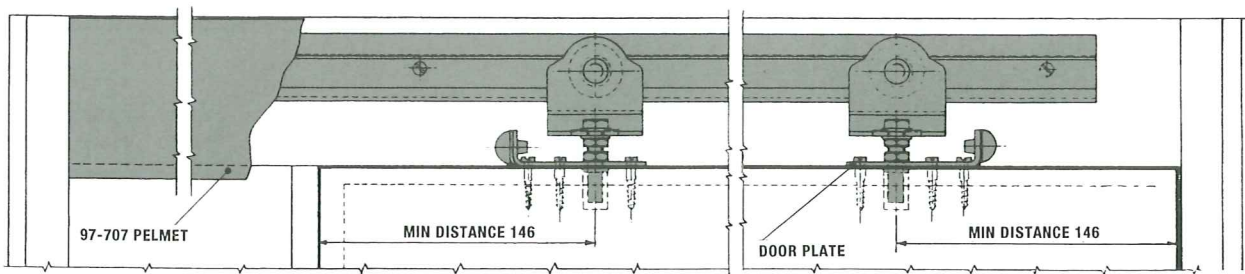
SOFFIT FIXING



BI-PARTING DOORS



ELEVATION & PLAN



PLAN & ELEVATION-DOOR ON FACE OF WALL

