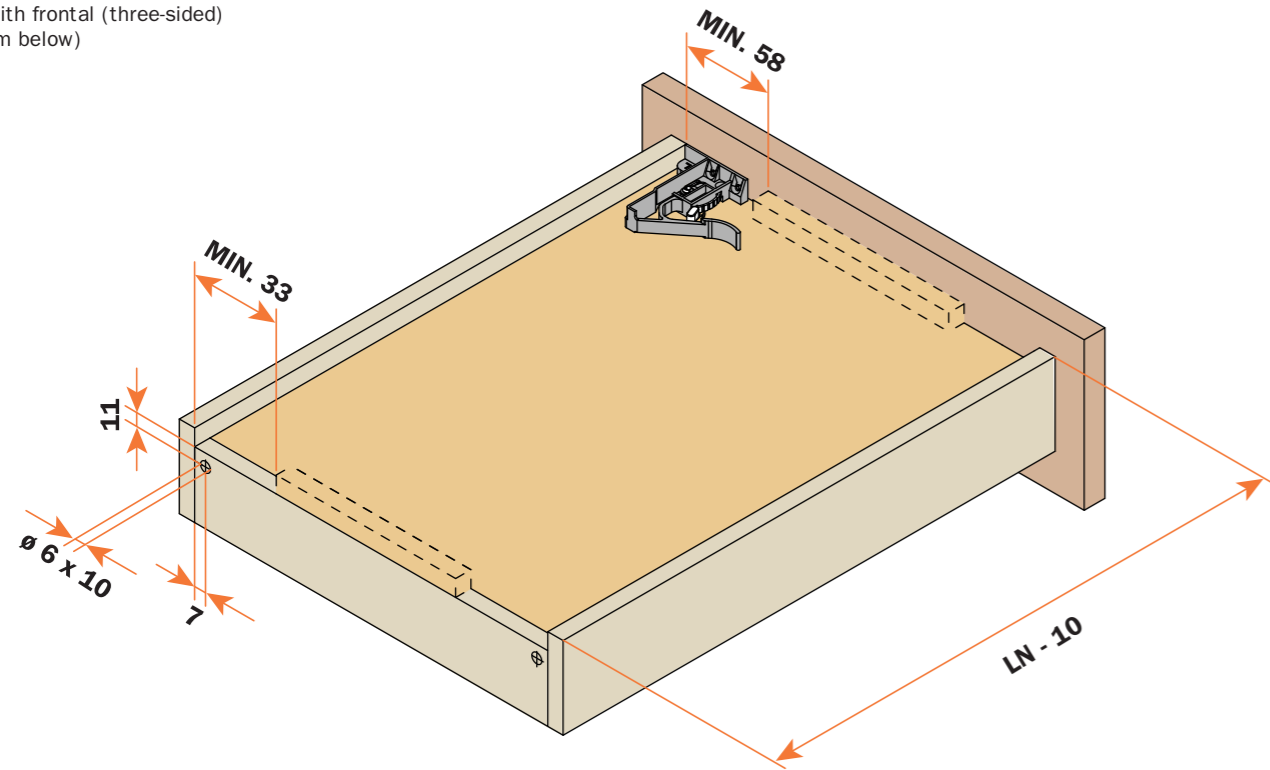


# Clip version - Drawer drilling

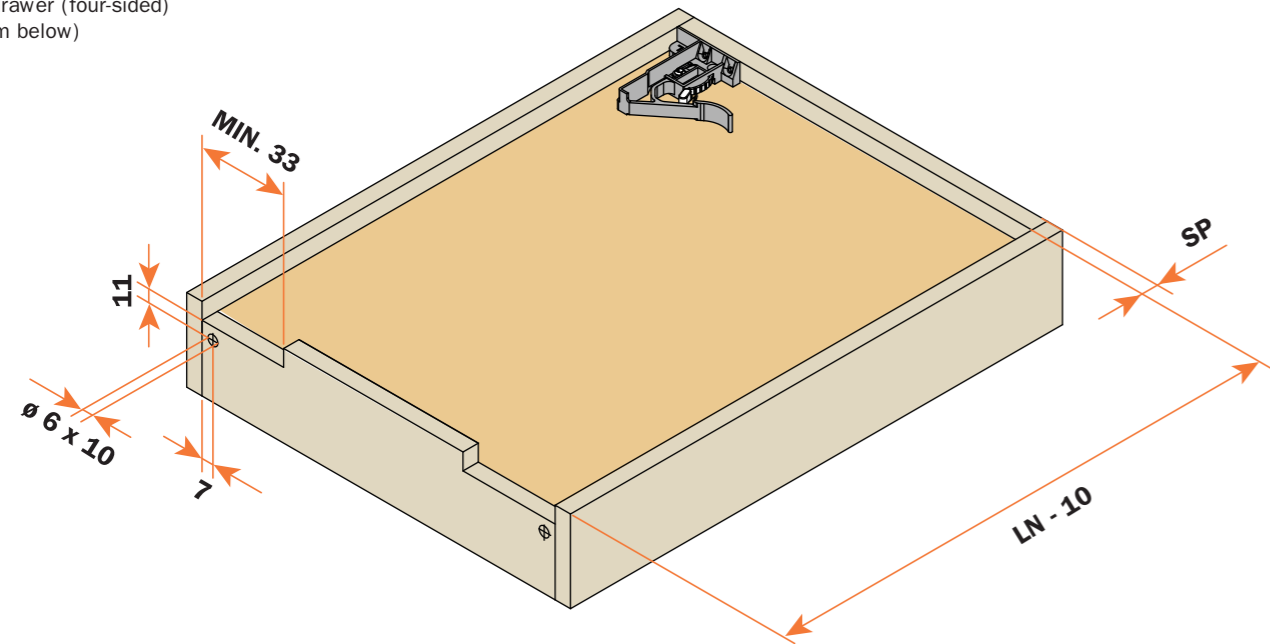
## Drawer drilling

Drawer with frontal (three-sided)  
(view from below)



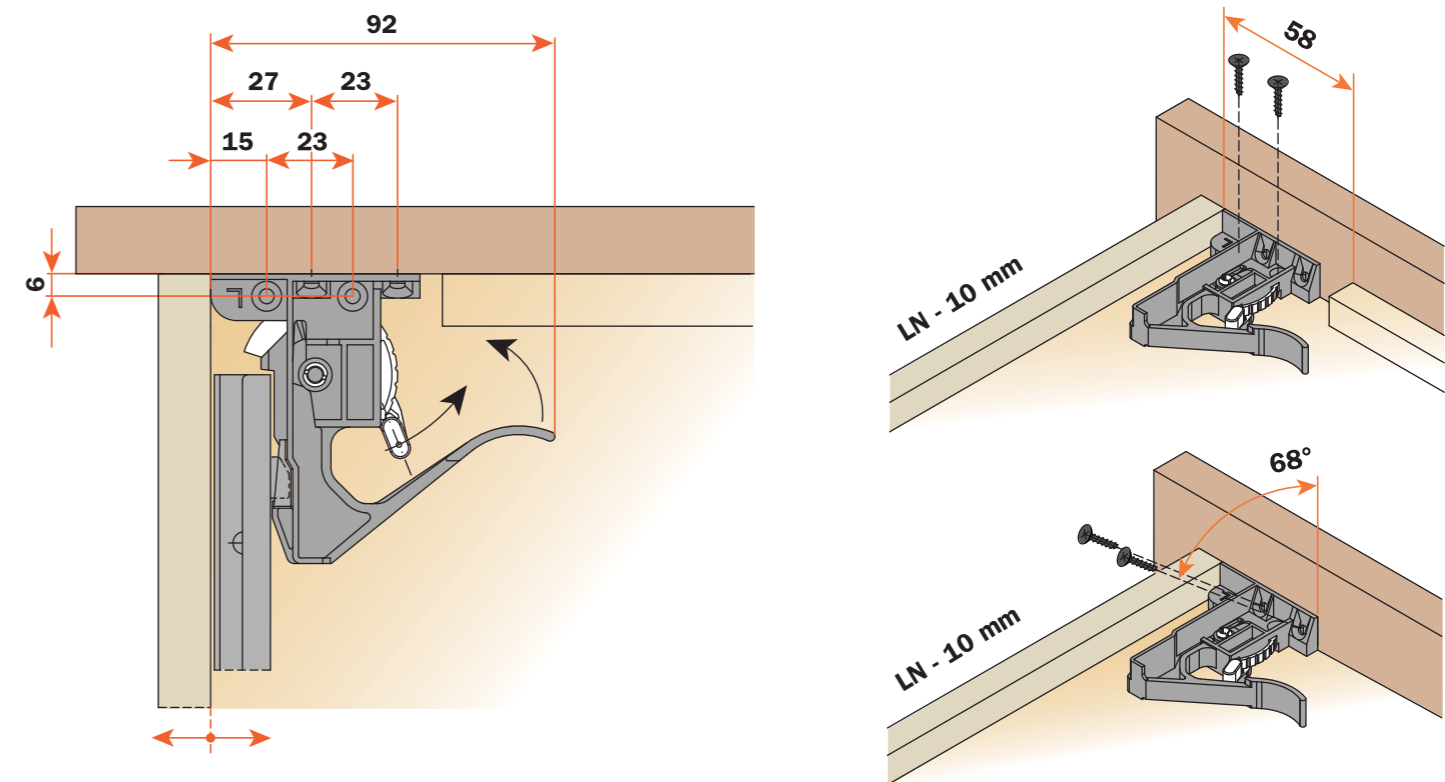
## Drawer drilling

Internal drawer (four-sided)  
(view from below)

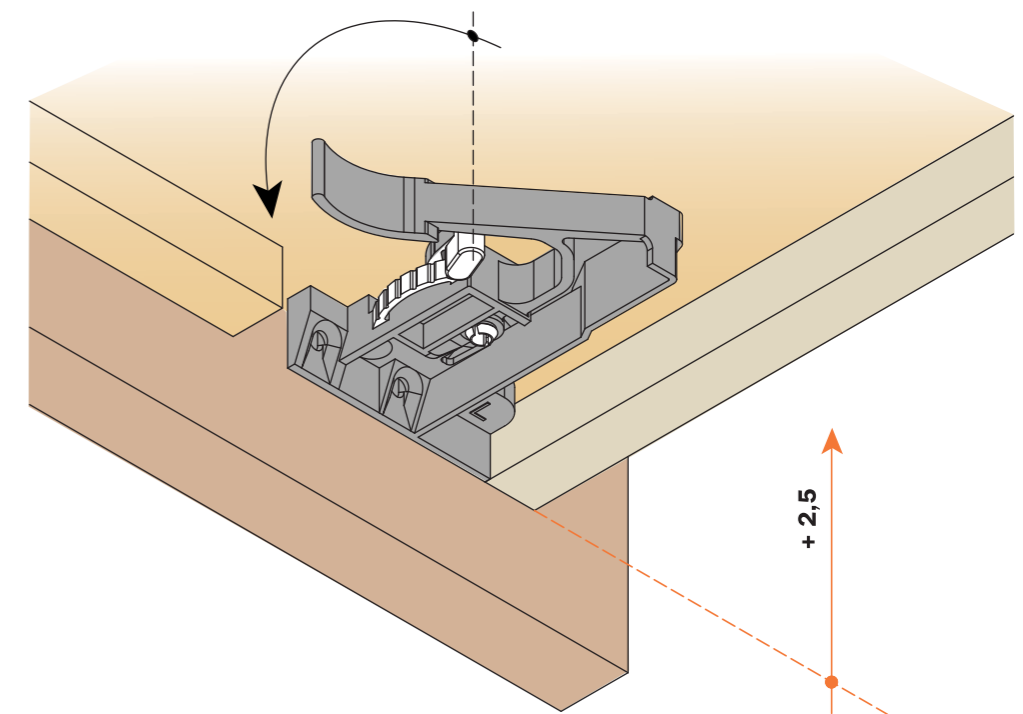


# Clip version - Technical information

## Fixing clip



## Drawer adjustment



Drawer height adjustment (+ 2.5 mm) using the lever indicated