

Futura Push 6157

Concealed runner



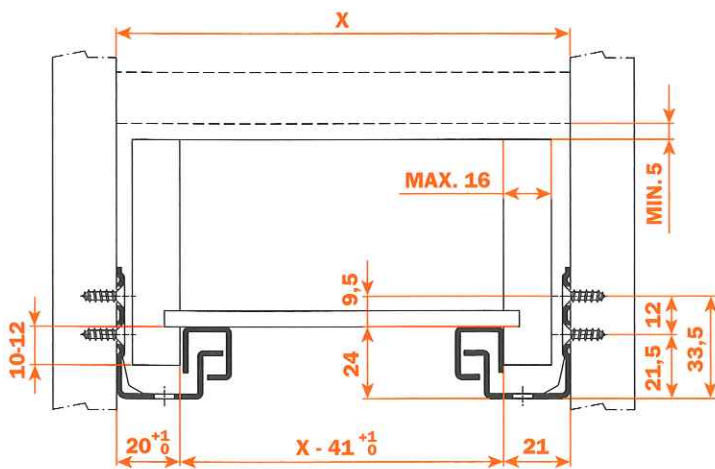
PART-EXTENSION RUNNER FIXED TO THE DRAWER FRONTAL BY CLIP.

PUSH: THE NEW OPENING SYSTEM FOR HANDLE-LESS DRAWERS, IS FULLY INTEGRATED IN THE RUNNER. A SLIGHT PRESSURE OF THE DRAWER FRONT IS SUFFICIENT FOR THE DRAWER TO SELF-OPEN.

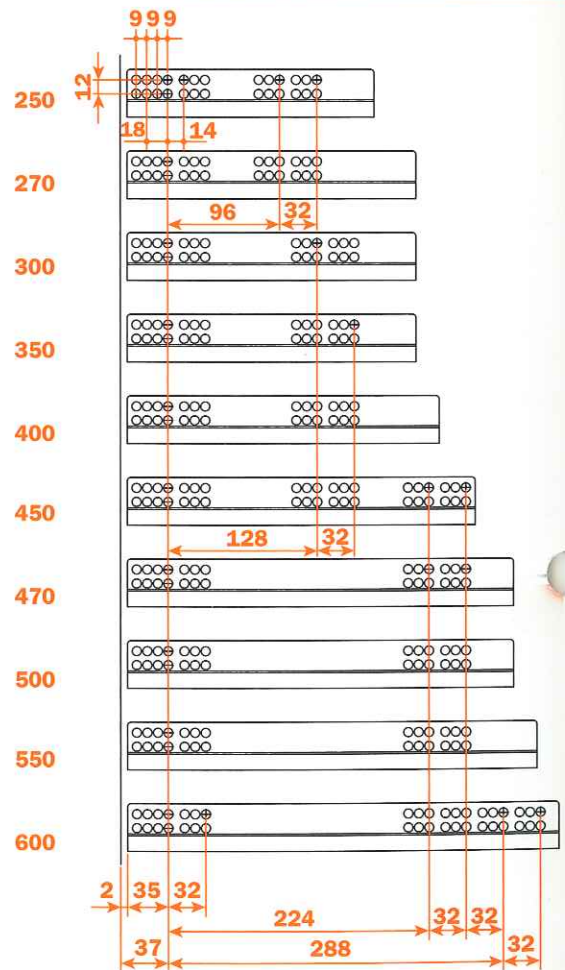
Product features

- Dynamic load capacity N 294 (Kg 30).
- With Push opening system.
- Safety system that prevents the drawers from turning over during transport.
- Drawer height adjustment (+2,5 mm).
- Pull drawer straight out.
- The drawer, when closed, is blocked.
- Compatible with ART. 6557.
- Finish: bright zinc-plated.

Dimensions

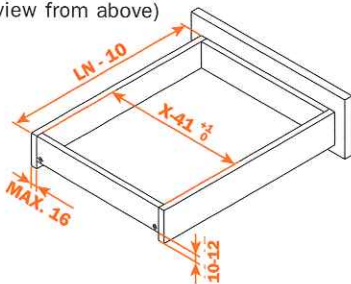


Drilling positions for runner on cabinet side

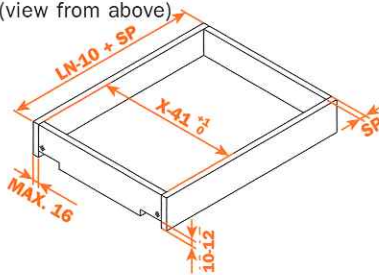


Drawer dimensions

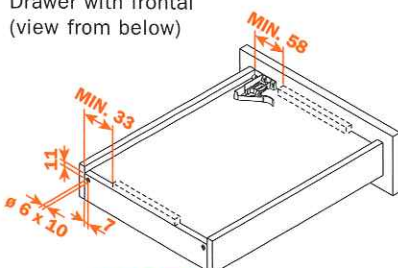
Drawer with frontal
(view from above)



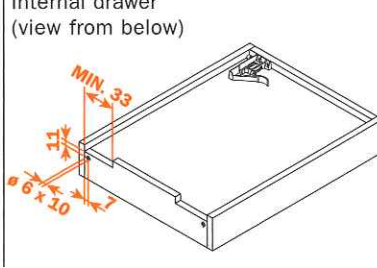
Internal drawer
(view from above)



Drawer with frontal
(view from below)

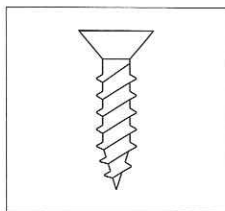


Internal drawer
(view from below)





Part number



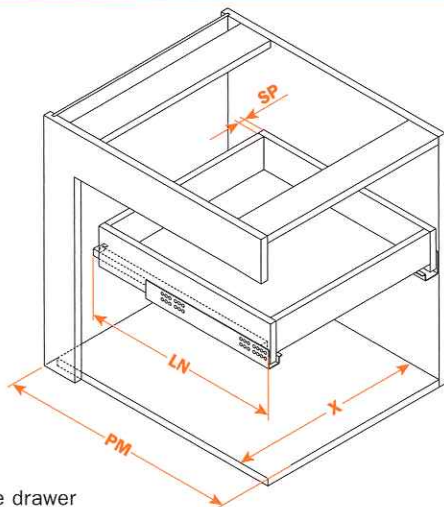
To be screw fixed
Screw TSP \varnothing 3,5 mm

BASIC PART NUMBER	RUNNER LENGTH	DEPTH OF THE CABINET
1 0 615 70 250 2 0 0	250	250
1 0 615 70 270 2 0 0	270	270
1 0 615 70 300 2 0 0	300	300
1 0 615 70 350 2 0 0	350	350
1 0 615 70 400 2 0 0	400	400
1 0 615 70 450 2 0 0	450	450
1 0 615 70 470 2 0 0	470	470
1 0 615 70 500 2 0 0	500	500
1 0 615 70 550 2 0 0	550	550
1 0 615 70 600 2 0 0	600	600

See the table "part number composition" at page 5.

CLIP PART NUMBER
1 0 710 00 010 1 0 0

Abbreviations



SP = Thickness of the drawer
LN = Nominal runner length
M = Depth of the cabinet
X = Internal width of the cabinet

Fitting, removal and adjustment

- 1) Fitting the drawer**
Place the drawer, with the clips premounted on the frontal, onto the runners and fully close it.
- 2) Removal of the drawer**
Press the 2 levers "1" and simultaneously withdraw the drawer from the cabinet.
- 3) Adjustment of the drawer**
By using the levers "2" it is possible to adjust the drawer vertically (+ 2,5 mm).

