

Solo Vitesse Sliding Door Gear

FOR USE WHERE QUIET OPERATION AND MINIMUM EFFORT ARE REQUIRED

APPLICATION

Internal straight sliding door gear for domestic and similar use.

RANGE

- Maximum door weight 50kg (110lb).
- Maximum door height 2.1 m (7ft).
- Maximum door width 900mm (3ft).

DOOR CONSTRUCTION

Door thickness 30-44mm.

FIXING

Top track side fixed. For soffit fixing use timber bearer secured to soffit first. Single screw fixed guides on floor keep threshold clear. Not suitable for self-closing doors. Hanger carriage has vertical and lateral adjustment. Use two sets for bi-parting doors.

HANGER CARRIAGE

All steel, one carriage containing 2 differential nylon wheels with integral high tensile phosphor bronze pins.

TRACK

Galvanised steel drilled for side fixing. Length 1524mm.

DOOR PLATES

Steel, zinc plated with vertical and lateral adjustment.

DOOR STOP

97-726 Nylon with rubber buffer.

DOOR CHANNEL

Galvanised steel drilled and c/sk for wood.

FLOOR GUIDE

Nylon, single screw fixing.

FURNITURE

Full range of door furniture shown on page 3.

SOLO VITESSE SLIDING DOOR GEAR

STANDARD TRACKSETS

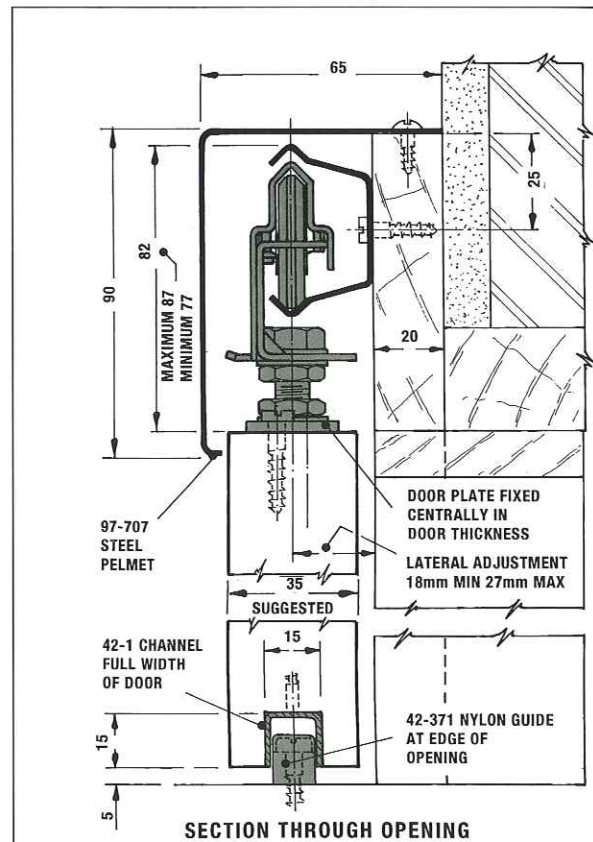
"Solo Vitesse" Sliding door gear is available in one standard pack only for doors up to 900mm wide. Contents per set: 1 length top track, hanger assembly, door plates, door channel for housing into underside of door, nylon door guide, alternative 97-780 bottom guide, door stop, installation details & all screws.

PELMETS

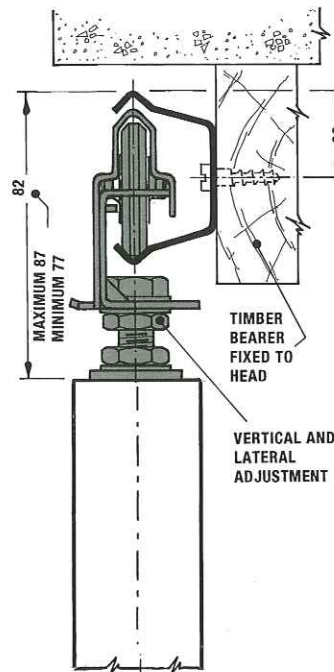
Galvanised steel

97-707-3 Length 1.8m.

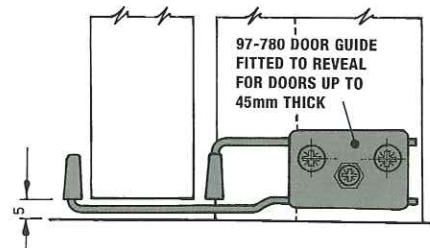
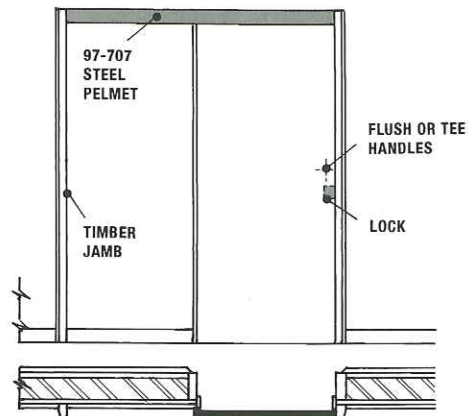
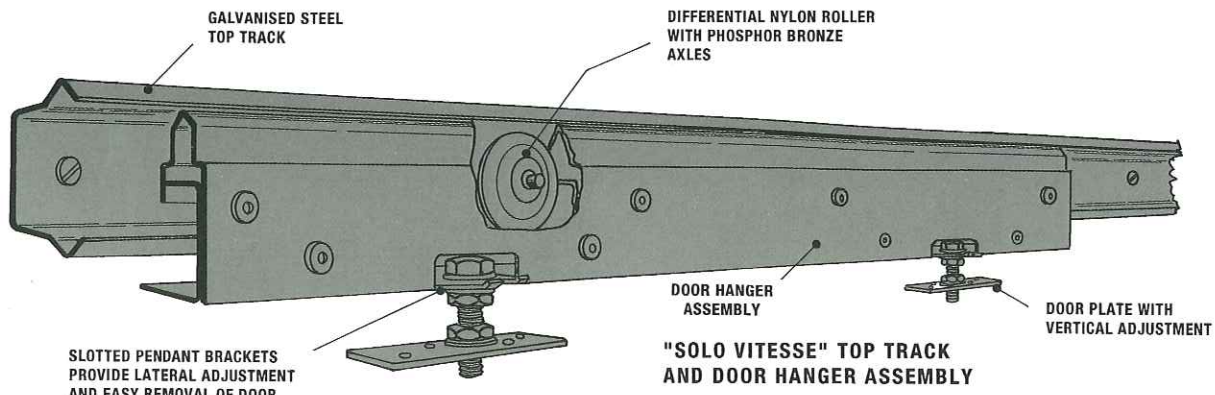
97-707-5 Length 2.4m.



SECTION THROUGH OPENING



ALTERNATIVE HEAD SECTION SOFFIT FIXING



BI-PARTING DOORS
 BUTT TRACKS AT CENTRE OF OPENING AND FIT INTERLOCKING FILLETS AT TRAILING EDGES TO PREVENT DOORS PASSING BEYOND CENTRE OF OPENING-SEE PLAN BELOW

