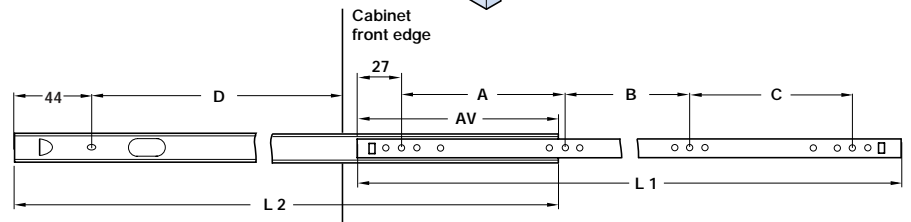
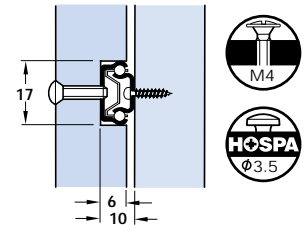


A Drawer runners, single extension

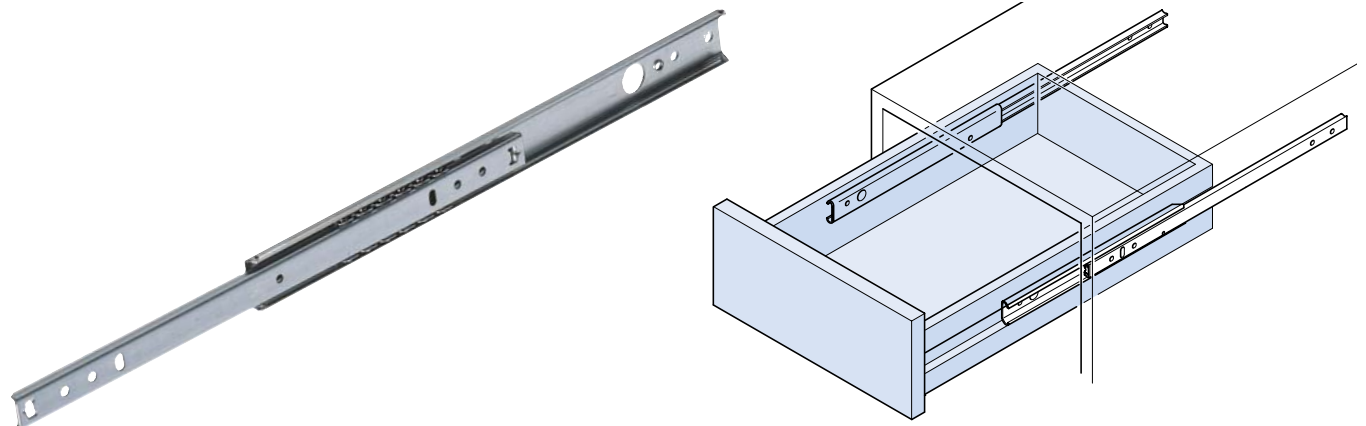
- Suitable for 17 mm grooved drawers
- 10 kg capacity
- Guided by means of two ball cages
- Galvanized steel



Drawer depth (front-to-back)	L1 carcase rail	L2 drawer rail	AV extension loss	Dim. A	Dim. B	Dim. C	Dim. D	Cat. No.
187 - 284 mm	182 mm	185 mm	63 mm	64 mm	-	64 mm	141 mm	420.68.182
251 - 400 mm	246 mm	249 mm	87 mm	96 mm	-	96 mm	205 mm	420.68.253
312 - 513 mm	310 mm	310 mm	96 mm	64 mm	128 mm	64 mm	266 mm	420.68.315
352 - 570 mm	342 mm	350 mm	102 mm	96 mm	96 mm	96 mm	306 mm	420.68.350
376 - 616 mm	374 mm	374 mm	118 mm	96 mm	128 mm	96 mm	330 mm	420.68.379
432 - 620 mm	342 mm	430 mm	102 mm	96 mm	96 mm	96 mm	356 mm	420.68.400

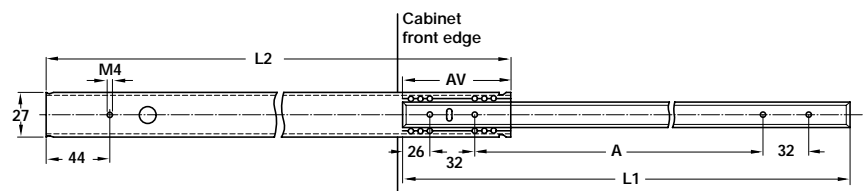


Order qty: 1 pair

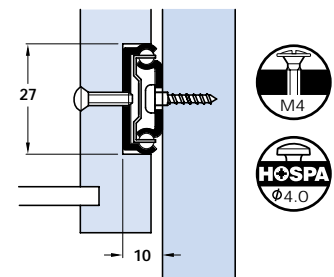


B Drawer runners, single extension

- Suitable for 27 mm grooved drawers
- 12 kg capacity
- Guided by means of two ball cages
- Galvanized steel



Drawer depth (front-to-back)	L1 carcase rail	L2 drawer rail	AV extension loss	Dim. A	Cat. No.
246 - 338 mm	246 mm	246 mm	82 mm	128 mm	420.95.394
278 - 452 mm	278 mm	278 mm	82 mm	160 mm	420.95.456
310 - 516 mm	310 mm	310 mm	94 mm	192 mm	420.95.527
350 - 568 mm	342 mm	342 mm	94 mm	224 mm	420.95.572
374 - 632 mm	374 mm	374 mm	94 mm	256 mm	420.95.643
406 - 696 mm	406 mm	406 mm	94 mm	288 mm	420.95.705



Order qty: 1 pair

Dimensions in mm

We reserve the right to alter specifications without notice.