

Window Fittings

1500 FASTENER

R A N G E

- Quality product - tested to B.S. 6462:1985
- Pressure zinc diecast for extra strength
- Patented push to release mechanism
- Automatic latching
- Non handed - reducing stock holding
- Deadlocking for higher security



1501 CP

1504L BP

1504L WH

1504L SS

1501 BK

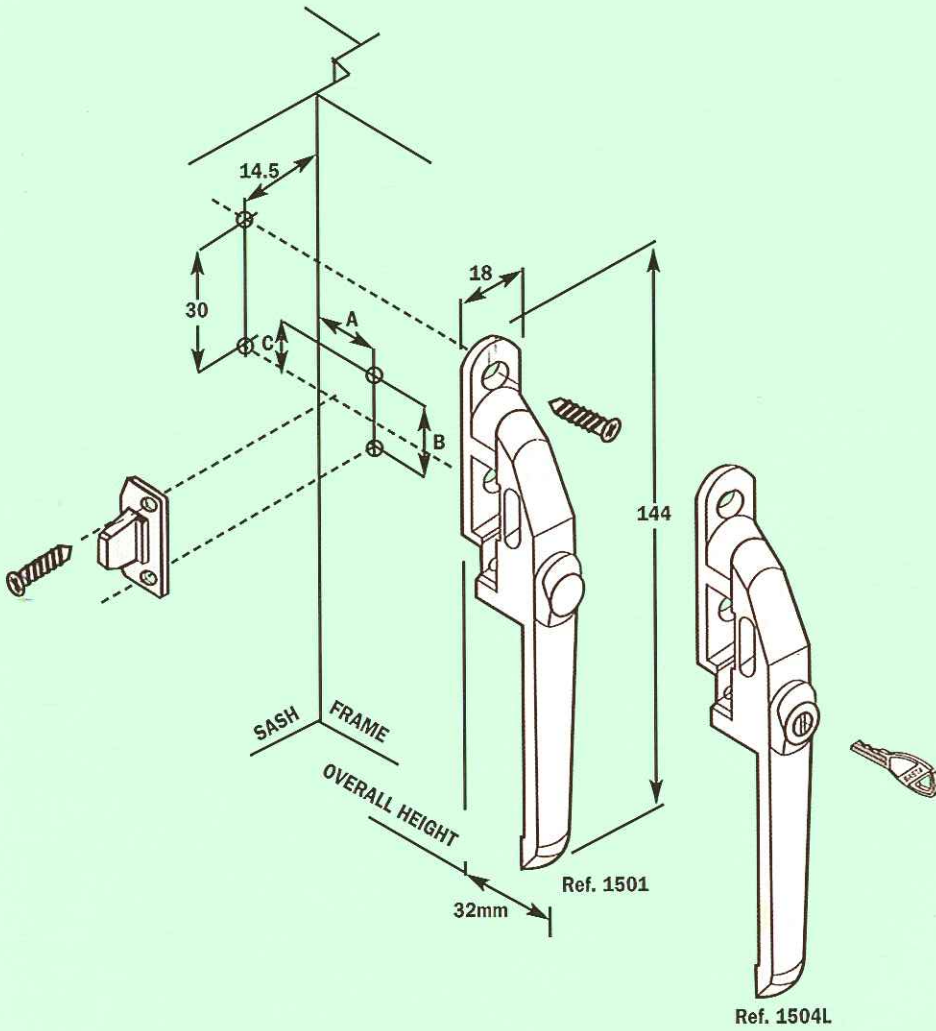
www.bastaparsons.com

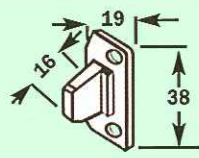
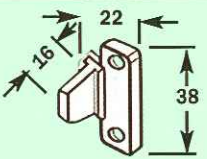
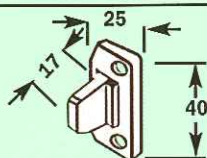
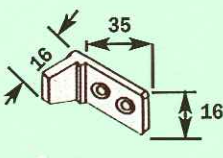
BASTA

1500 FASTENER RANGE

R A N G E

Push - to - Release Casement Fastener



WEDGES	A	B	C
 WFL 13 (13 B.M.)	13	26	7
 WEJ 16 (16 B.M.)	16	26	7
 WFL + 9° BEVEL (18 B.M.)	18	30	10
 WE 18 (18 B.M. Horiz)	18	N/A	

B.M. is the distance from front of wedge to hole centers.

Extra Features

- Slimline robust design
- Full cylinder locking
- Non locking available
- Incorporates night vent position
- Fitted with high quality cylinder lock
- Same key fits fastener and 1900 stay

Finish

CP - Chrome Plate
 BP - Brassed (bright finish)
 Colours - ALL RAL colours

Technical Details

Zinc Alloy
 Powder Paint
 Electroplating
 Brassing
 Manufacturing Standard
 Tested to
 Salt Spray
 Screws

BS1004A
 Polyester
 BS1224 Ser.Con.2
 Clearclad
 I.S EN ISO 9002
 B.S. 6462:1985
 ASTM B117 / ISO 9227
 1" x No. 7

All Dimensions in mm

Supplied by:

05/03