

Window Fittings

# 1300 FASTENER

R A N G E



- Quality product - tested to B.S. 6462:1985
- Pressure zinc diecast for extra strength
- Colour of wedge matches fastener
- Non handed - reducing stock holding
- 1374 can be locked in night vent position
- Top hat bearing washer for long life and smooth action

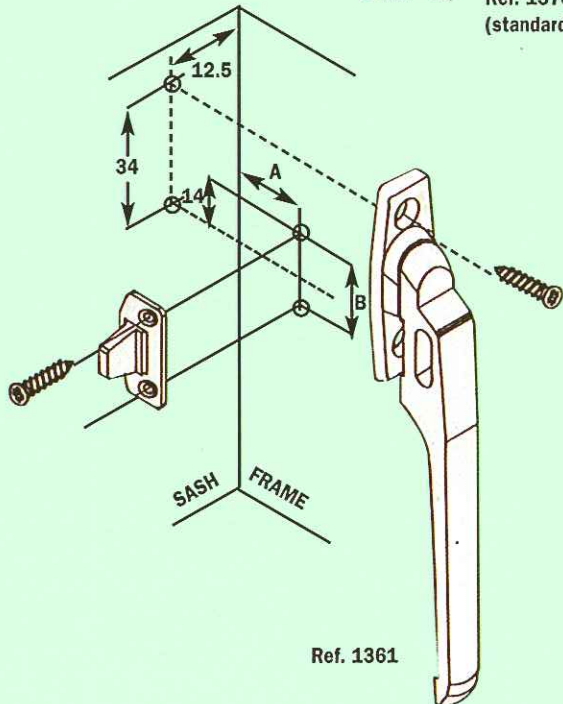
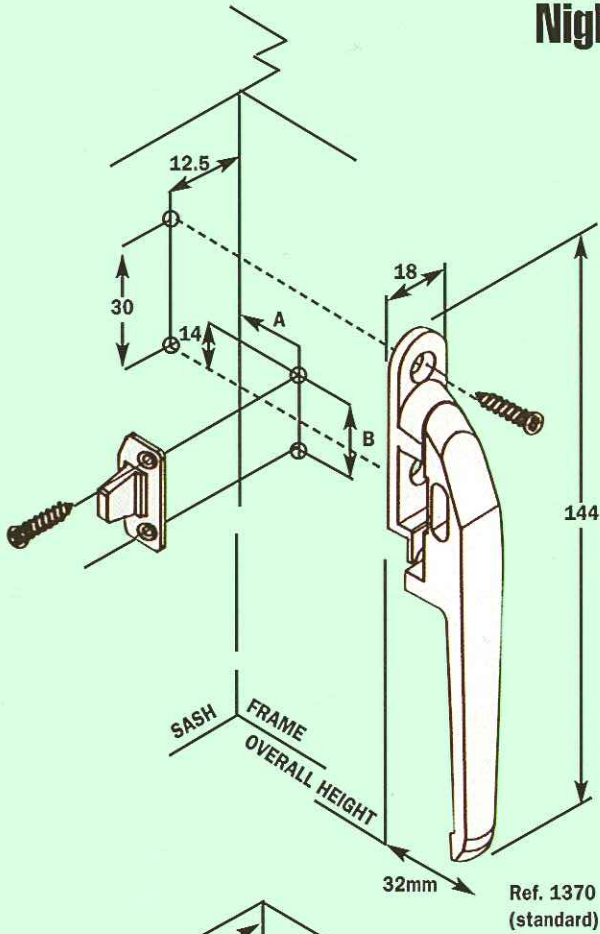
[www.bastaparsons.com](http://www.bastaparsons.com)

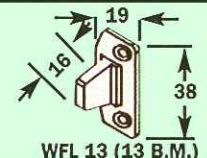
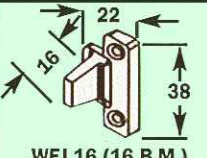
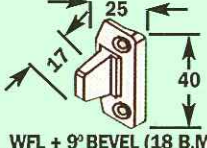
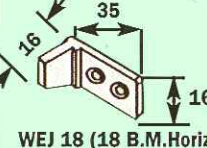
**BASTA**

# 1300 FASTENER

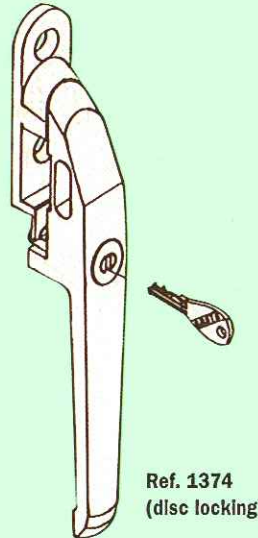
R A N G E

## Night Vent Fastener



WEDGES	A	B	WEDGES	A	B
 WFL 13 (13 B.M.)	13	26	 WEJ 16 (16 B.M.)	16	26
 WFL + 9° BEVEL (18 B.M.)	18	30	 WEJ 18 (18 B.M. Horiz)	18	N/A

B.M. - Back mark is the distance from front of wedge to hole centers.



### Finish

CP - Chrome Plate  
 BP - Brassed (bright finish)  
 Colours - ALL RAL colours

### Technical Details

Zinc Alloy	BS1004A
Powder Paint	Polyester
Electroplating	BS1224 Ser.Con.2
Brassing	ASTM B117
Manufacturing Standard	ISO 9002/EN29002
Tested to	B.S. 6462:1985
Screws	1" x No. 7

All Dimensions in mm

Supplied by:

05/03