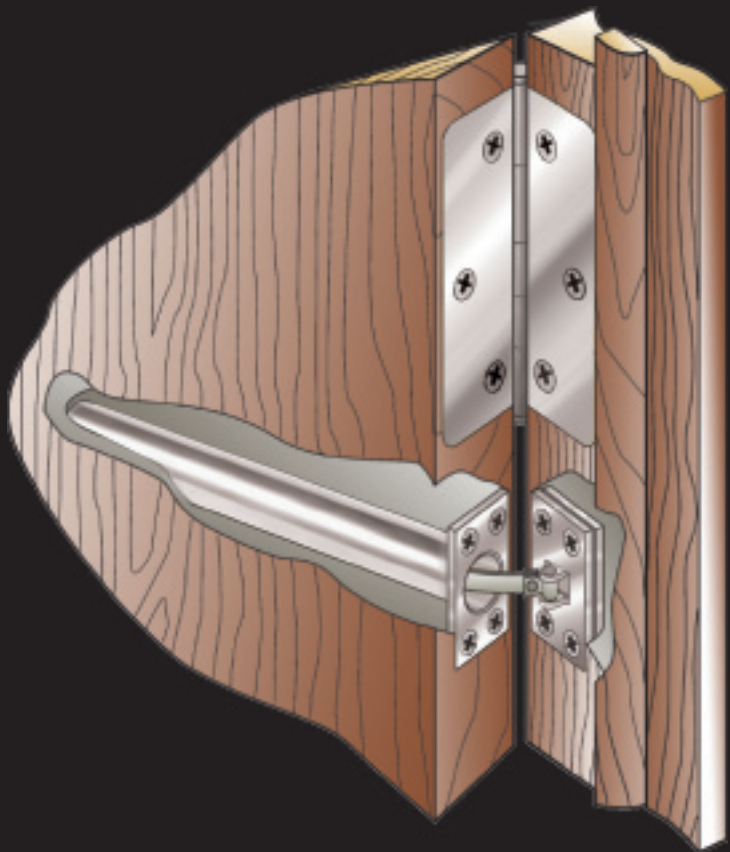


10000 series



astra[®]
CONCEALED DOOR CLOSERS

1001 INVISIBLE DOOR CLOSER STANDARD STRENGTH

1002 INVISIBLE DOOR CLOSER HIGH STRENGTH

astra[®] 1001 1002

CONCEALED DOOR CLOSERS

Manufactured in the UK to European Standard EN1634 part 1 and suitable for use with both 1/2 hour and 1 hour fire doors. These door closers incorporate a quality spring and a unique hydraulic piston assembly offering a controlled rate of door closure together with an adjustable latching action.

Performance / Testing

Tested and proved suitable for use on a 1/2 hour and 1 hour fire door.

Test conducted in accordance with EN1634 part 1 by CHILTERN INTERNATIONAL FIRE LTD, test report: CHILT/RF06118
Continuous in-house testing up to 500,000 cycles.

The **1001** is suitable for use on a **50kg (110lb)** door with a maximum opening angle of 100°.

The **1002** is suitable for use on a **68kg (150lb)** door with a maximum opening angle of 100°.

The Concealed Hydraulic Door Closer is listed by Underwriters Laboratories Inc. in the U.S. and is suitable for use with a 110lb fire door and bears the mark.



The Concealed Hydraulic Door Closer has been investigated to Canadian National Standard CAN/ULC 5133 - M90 and bears the mark.

Features

Non-handed, suitable for use on either right or left hand doors.
Available in Brass, Chrome or Satin finish.
Square or Radius plates.
10 Year Guarantee.



**AST1001BFS
AST1002BFS**
BRASS FINISH,
SQUARE PLATES



**AST1001CFS
AST1002CFS**
CHROME FINISH,
SQUARE PLATES



**AST1001SFS
AST1002SFS**
SATIN FINISH,
SQUARE PLATES



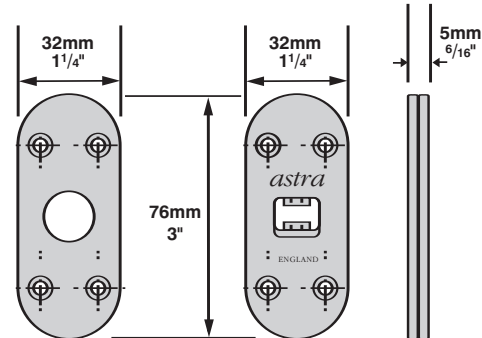
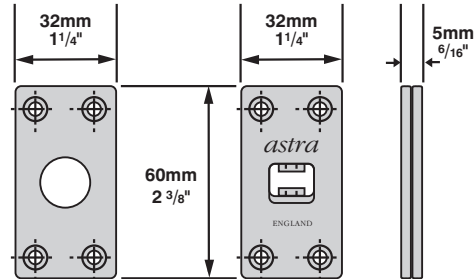
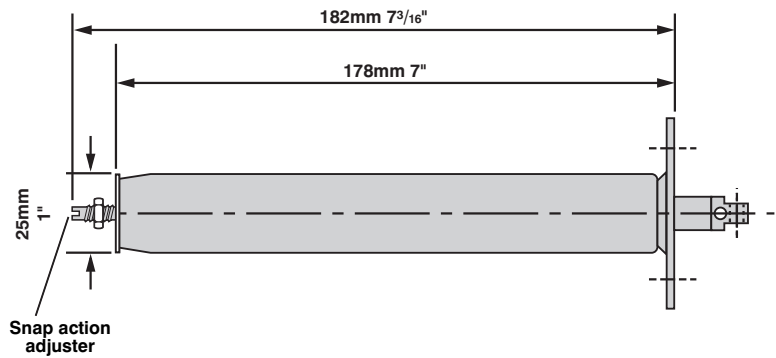
**AST1001BFR
AST1002BFR**
BRASS FINISH,
RADIUS PLATES



**AST1001CFR
AST1002CFR**
CHROME FINISH,
RADIUS PLATES



**AST1001SFR
AST1002SFR**
SATIN FINISH,
RADIUS PLATES



Force profile

The Astra 1001 door closer has a closing torque at 4° from the latch point of 8.75Nm.

The Astra 1002 door closer has a closing torque at 4° from the latch point of 12.25Nm.

Fixing

The Astra door closer should be fitted with a pair and half of ball bearing hinges and a good quality latching mechanism.

Performance of the product may be affected if not fitted correctly. Complete door kits are available.



Astra Door Controls Ltd.,
Preston,
PR2 5AP England
Tel: +44 (0)870 850 8007
www.astradoorcontrols.com

Prime Line Products Inc.,
Redlands,
CA 92374, USA
Tel: 1-800 255 3505
www.gibcloser.com