

NOR 810 Datasheet

This BS 476: Part 31 smoke seal compliant automatic drop down seal has a light weight mechanism which is self levelling when activated. This seal has passed a 100,000 cycle test with ease. The NOR 810 acoustic door seal is adjustable to suit the gap size needed and will not only act as an acoustic barrier but also help keep out drafts and keep in energy!

Key Benefits

- BS 476: pt31 compliant.
- 100,000 cycle test.
- Light weight operation.
- Smoke seal capabilities.
- Unobtrusive (fully mortised).

Fitment Location

Single swing doors.

Min / Max Gap Size

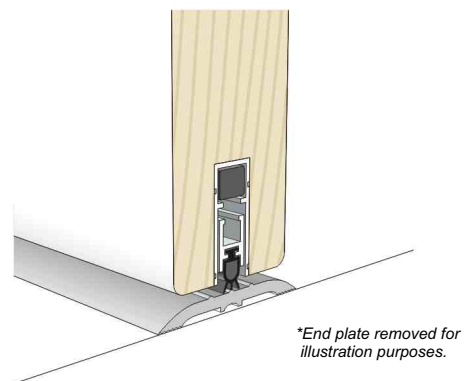
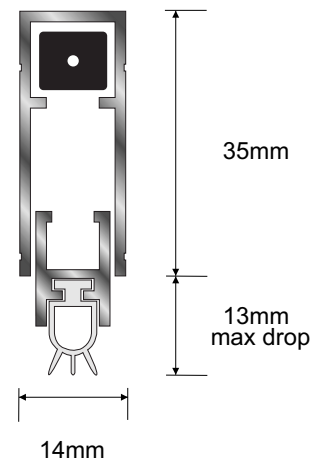
1mm - 13mm

Seal Material

Gasket - light grey. Holder - satin anodised.

Fixing

This seal is mortised. Supplied with fixing screws, striker button and pre-drilled end plates. Once fitted the product will hang on the end plates.



Standard Lengths

435mm, 535mm, 635mm, 735mm, 835mm, 935mm, 1035mm and 1135mm.

Note: All sizes can be cut back up to 100mm.

Colours

Satin anodised aluminium holder, silver end plates and light grey silicone gasket.